

# Inhoudsopgave

Achteras 2WD & Cilinder .....	106
Achteras 4WD & Stuercilinder .....	13
Blower & Snaarschijven .....	87
Cabine .....	74
Elektrische Delen PG-SR .....	21
Elektrische Verlichting .....	69
Filters & Tank .....	17
Frame Hoogkieger .....	15
Frame & Kappen .....	9
Grasvang Bak .....	25
Haakse Kast & Hydrauliek Aansturing .....	101
Hydrauliek Aandrijving Rijden .....	53
Hydraulische Hef .....	89
Hydrauliek Kieger Vangbak .....	57
Hydraulisch Stuur .....	104
Hydrauliek Stuur PG-SR .....	51
Hydrauliek & Filter .....	47
Kappen Stuur & Zitting .....	4
Kiep Frame Grasvang Bak .....	28
Kiep Frame Grasvang Bak PG-SR .....	32
Motor B&S .....	43
Motor Kubota D902 .....	40
Motor Kubota D1105 .....	34
Pedalen & Handels PG-SR .....	55
Pedalen & Handels PG-SR-W .....	108
Rem PG-SR .....	45
Rolbeugel .....	93
Spanner .....	99
Stickers PG-SR .....	72
Tandwielen & Wielassen PG-SR-20" .....	97
Tandwielen & Wielassen PG-SR-23" .....	85
Transport Bakje .....	30
V-Snaar Aandrijving .....	19
Wielen .....	65
Zonnedak .....	95

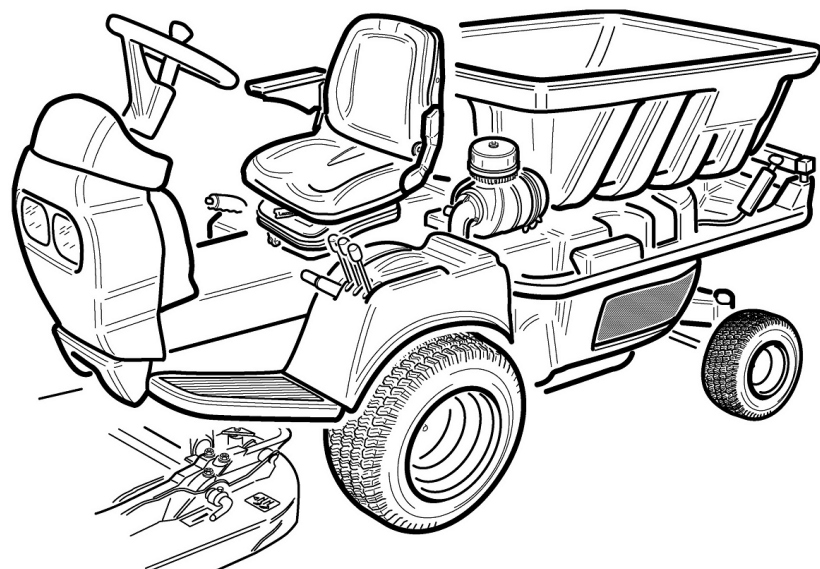


# Gianni Ferrari

## PG-SR-W



**CATALOGO PARTI DI RICAMBIO**  
**CATALOGUE PIECES DETACHEES**  
**SPARE PARTS CATALOGUE**  
**TERSATZTEILKATALOG**



MATRICOLA CATALOGO  
PG/SR XX0603001XXX - XXXXXXXXXXXXX  
PG/SR KUBOTA XX06401807XXX - XXXXXXXXXXXXX

# COMPOSIZIONE CODICE D'ORDINE

NUMERO DI MATRICOLA ALFANUMERICO DEL TELAIO + CODICE PARTICOLARE DI RICAMBIO

# COMPOSITION OF THE ORDER CODE

ALPHANUMERICAL SERIAL NUMBER OF THE FRAME + CODE NUMBER OF THE SPARE PART

# COMPOSITION DU CODE DE L'ORDRE

NUMÉRO DE SÉRIE ALPHANUMÉRIQUE DU CHÂSSIS + CODE AU PIÈCE DE RECHANGE

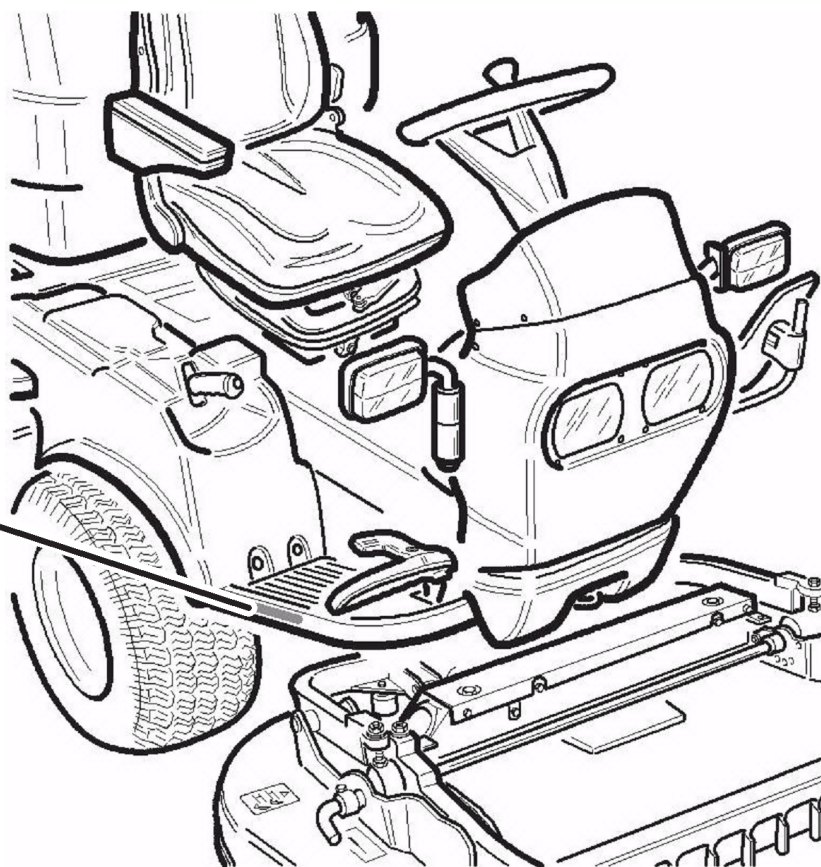
# AUFBAU DES BESTELLKODS

ALPHANUMERISCHE SERIENNUMMER DES GERÜSTES + HINWEIS AUF DAS ZUSATZTEIL

MATRICOLA CATALOGO

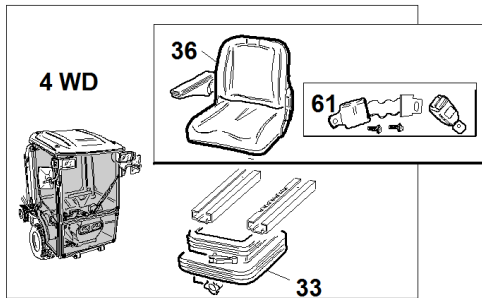
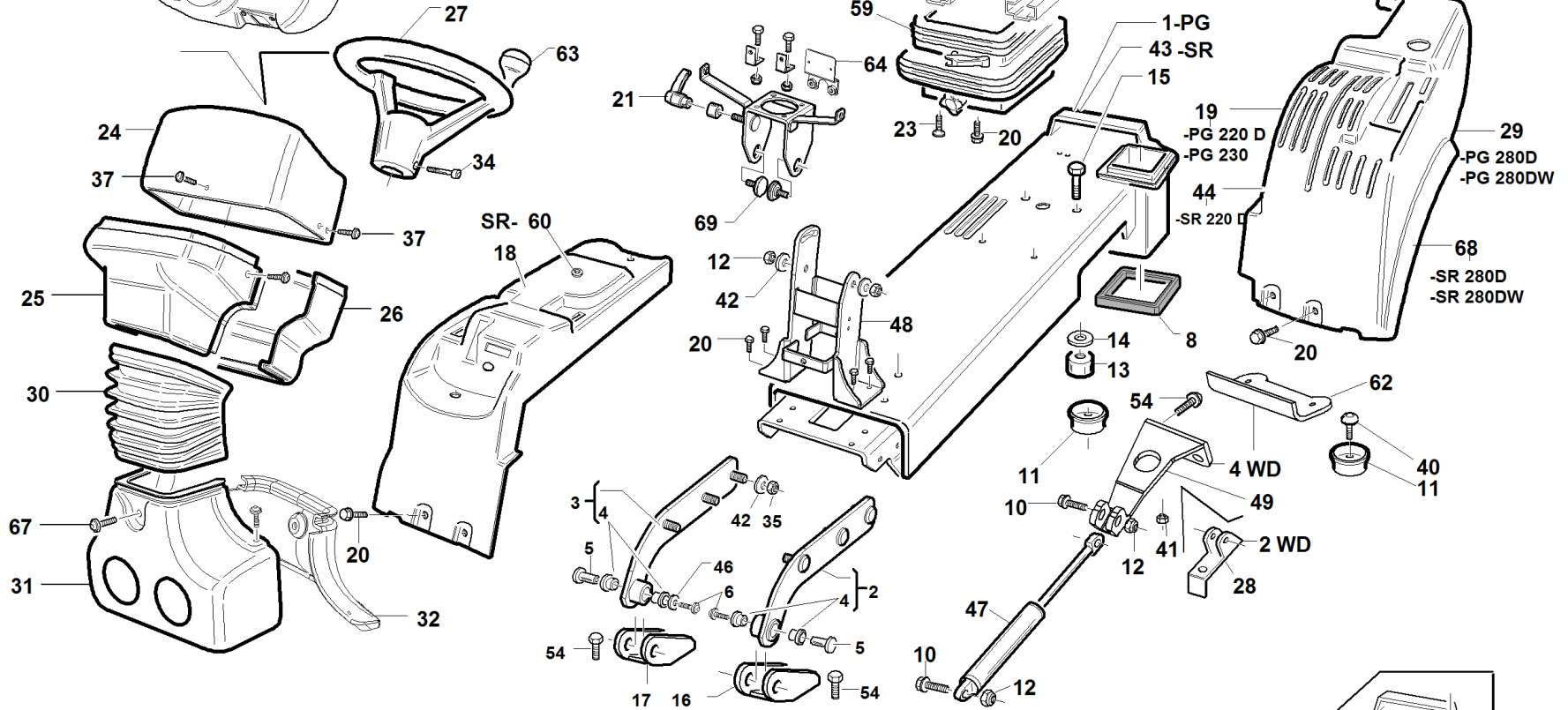
NUMERO DI MATRICOLA ALFANUMERICO DEL TELAIO  
ALPHANUMERICAL SERIAL NUMBER OF THE FRAME  
NUMÉRO DE SÉRIE ALPHANUMÉRIQUE DU CHÂSSIS  
ALPHANUMERISCHE SERIENNUMMER DES GERÜSTES

XX9999999XXXX  
XX99999999XXXX



Briggs&Stratton - 66 65 - Kubota

**PG-SR**



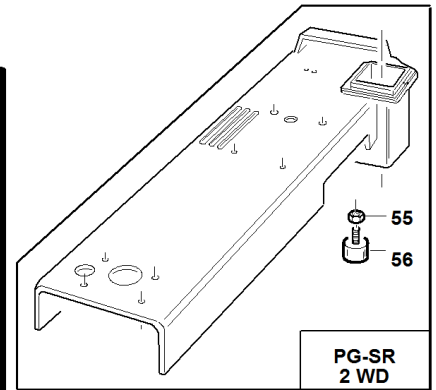
**SEDILE CONFORT RISCALDATO PG**  
**HEATED COMFORT SEAT FOR PG**  
**SIEGE CHAUFFANT CONFORT PG**  
**COMFORTABLE SITZHEIZUNG PG**



70  
71



**Solo per macchine con Rops**  
**Only for a machine with Rops**  
**Seulement pour machine avec Rops**  
**Nur für Maschine mit Rops**



**PG-SR**  
**2 WD**

#

P/N

DESCRIPTION

PG-SR

REF. 01 - 00555501901

#	P/N	DESCRIPTION	PG-SR	REF. 01 - 00555501901
1	95401100000			
2	95301270000	ASSEMBLD LEFT HOOD SUPPORT		
3	95301260000	ASSEMBLD RIGHT HOOD SUPPORT		
4	00111530003	BUSHING TFF 14X16 L=9		
5	94500000007	HOPPER FIXING PIN		
6	00111450014	SCREW FR M6X12		
7	00777850005	SEAT RIGHT GUIDE PAIR		
8	95030300002	BAND L=540		
9	00777850004	LOWER LEFT GUIDE		
10	00111450002	SCREW WASHER M8X30		
11	95301000001	CENTRING DUMPER MEMBER		
12	00111000071	SELF BLO. NUT M8		
13	00111970038	VIBRATION-DAMPING STOPPER M10 F		
14	00111000070	WASHER P. 11X30X2.5 ZNT		
15	00111300028	SCREW TE M10X12		
16	95301000009	HINGE HOOD LEFT FORK		
17	95301000010	HINGE HOOD RIGHT FORK		
18	95200000006	PG-SR RIGHT MUDGUARD		
19	95302000001	LEFT PG MUDGUARD		
20	00111450003	SCREW WASHER M8X20		
21	00111970195	HANDLE M10		
22	91001000019	SPACER		
23	00111000186	SCREW TSPEI M8X20		
24	91001150004	UPPER STEERING COLUMN BODY		
25	91001150005	UPPER FRONT STEERING COLUMN BODY		
26	91001150006	UPPER REAR STEERING COLUMN BODY		
27	00111970209	STEERING WHEEL W/BUSHING		
28	95200000004	GAS SPRING SUPPORT BRACKET		
29	95410000023	PARAFANGO SX PG280D-W		
30	00111970191	RUBBER BELLOWS		
31	95400110001	FRONT STEERING FAIRING		
32	95400110002	CARENA STERZO POSTERIORE		
33	00777850021	SPRING SEAT + LOWER SLIDES		
34	00111400015	ALLEN SCREW M6X40		
35	00111000095	SELF BLO. NUT M8		
36	00777850016	PG CONFORT SEAT		
37	00111450017	SCREW FR M4X18		
38	00111450015	SCREW M8x30		
39	00111450016	SCREW M6x25		
40	00111450012	SCREW FR M 6X20		
41	00111000166	SELF BL. SCREW M6		
42	00111000061	WASHER 8.4X24X2		
43	95407100000			
44	95310000001	SR LEFT MODGUARD		
46	00111000037	WASHER 6.6X18X2		
47	00111990106	360N GAS SPRING		
48	95400100000			
49	95303000074	SPRING SUPPORT		
50	00777850023	SEAT LEFT GUIDE PAIR		
51	00777850022	UPPER LEFT GUIDE WITH LEVER		
52	00777850010	UPPER RIGHT GUIDE		
53	00777850003	LOWER RIGHT GUIDE		
54	00111000059	FAKE SCREW/WASH. M8X14		
55	00111150002	NUT M10 6S ZNT		
56	00111970005	VIBRATION-DAMPING STOPPER M10		
57	00777850041	SEDILE PG		
58	91001210000	POWER-STEERING SUPPORT		
59	00777850040	SPRING SEAT +LOWER SLIDES		
60	00111970243	TAPPO PER FORO Ø12		

#

P/N

DESCRIPTION

PG-SR

REF. 01 - 00555501901

61	00777850019	BELT ROLLING UP	
62	95303000078	HOOD SUPPORT	
63	00111970217	STEERING WHEEL KNOB	
64	91001300000	WARNING HORN BRACKET	
65	95418000001		
66	95417000001		
67	00111450004	SCREW WASHER M8X12	
68	95407000001		
69	91001000021	STEERING REGULATION PIN	
70	00777850044		
71	00777800110	COMPLETE PIN	

**02 - PG 2012**

**#**

**P/N**

**DESCRIPTION**

**02 - PG 2012**

**REF. 02**

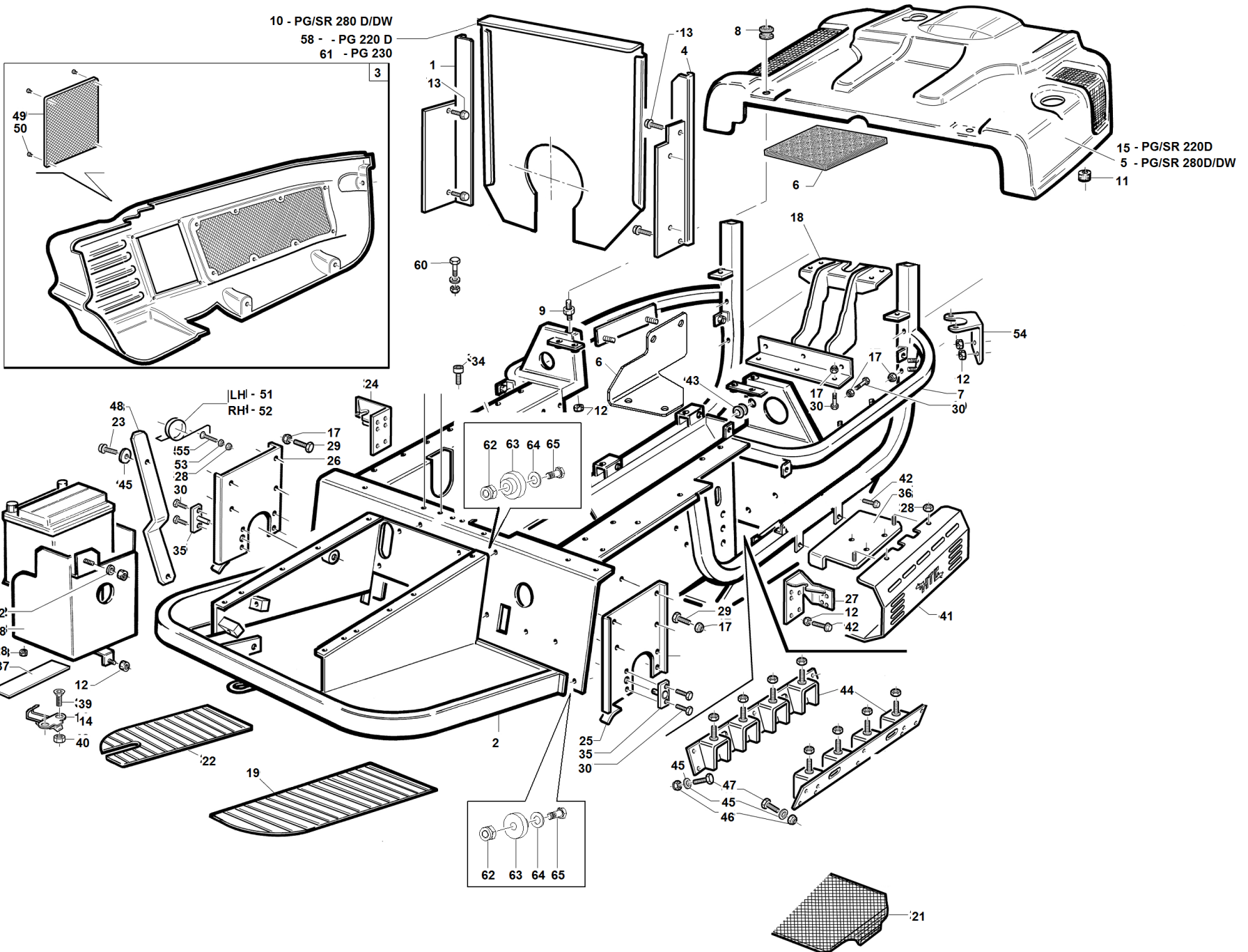
---

#	P/N	DESCRIPTION	02 - PG 2012	REF. 02



**PG-SR**

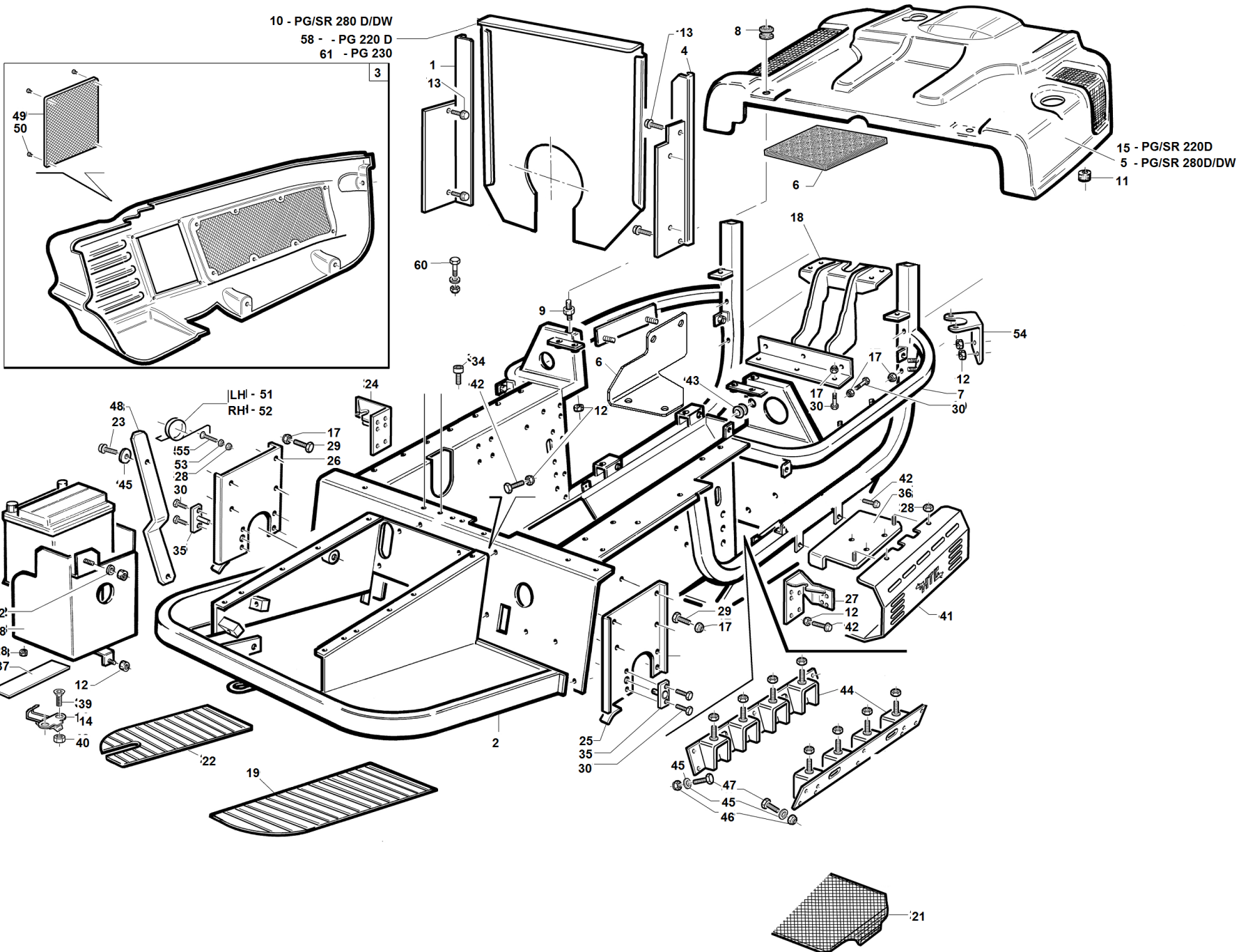
10 - PG/SR 280 D/DW  
58 - - PG 220 D  
61 - PG 230



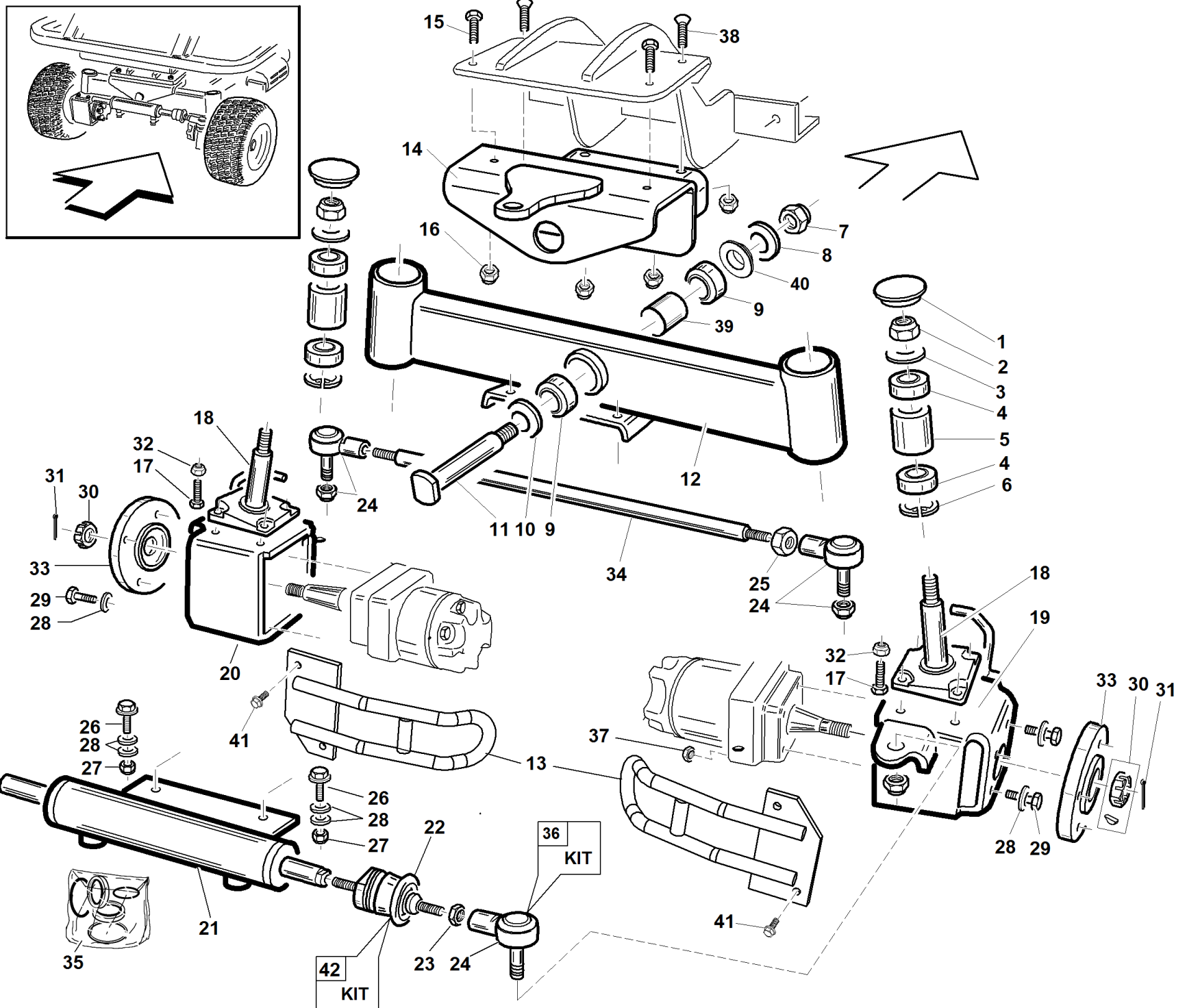
#	P/N	DESCRIPTION	PG-SR
1	PC95049280000	RIGHT COMPL.CHANNEL	
2	95400160000	COMPLETE FRONT FRAME	
3	95301340000	ENGINE RIGHT SIDE BODY	
4	PC95049290000	LEFT COMPL.CHANNEL	
5	95400111000		
6	95410000017		
7	95400170000	PG/SR COMPLETE CHASSIS	
8	00111970066	CABLE HOLDER D.I.9	
9	95048100011	HOOD STOP PIN	
10	95410000011		
11	00111970118	VIBRATION-DAMPING STOPPER M6 F H=31	
12	00111000071	SELF LOCKING NUT M8 UNI 7473	
13	00111450005	SCREW/W M6X16	
14	00111990038	CLOSURE 18-1104	
15	95417111001		
16	00111300029	SCREW TE M10X55	
17	00111250013	SELF BL.NUT M10	
18	95409150000		
19	95400000008	LH RUBBER FOOTBOARD	
21	PV95049000025	COLLECTOR EXTRACTABLE GRID	
22	95400000007	RH RUBBER FOOTBOARD	
23	00111450004	SCREW WASHER M8X12	
24	95125110000	RIGHT BRACKET	
25	95301160001	LEFT GEAR BOX SUPPORT	
26	95301170001	RIGHT GEAR BOX SUPPORT	
27	95125190000	LEFT BRACKET	
28	00111000166	SELF LOCKING NUT M6 UNI 7473	
29	00111000076	SCREW TE M10X25	
30	00111000103	SCREW TE M10X30	
32	00111000061	WASHER 8.4X24X2	
34	00111000067	ALLEN SCREW M10X20	
35	95301150000	LIFTING ARMS SUPPORT	
36	95303250000	VALVE SUPPORT	
37	95049000027	AIR STOP 20X5 301F L = 40 mm	
38	PC95049260000	BATTERY HOLDER	
39	00111350019	SCREW TSPEI M4X14	
40	00111250006	SELF BL. NUT M4	
41	95303000059	VALVE PROTECTION	
42	00111450001	SCREW WASHER M8X25	
43	00111970010	RUBBER EDGE 14X18X23	
44	95200140000	ENGINE SUPPORT COMPLETE	
45	00111000087	WASHER P.8,4X15.6X1,5	
46	00111250014	SELF BL. NUT M8	
47	00111300064	SCREW M8X25	
48	95303000024	PLATE ARMS FOR MOWER DECK OVERTURNING	
49	95201000004	RIGHT KUBOTA ENGINE FAIRING GRID	
50	00111800007	RIVET D.3,9X12	
51	95303000062	LEFT LAWNMOWER OVERTURNING SPRING	
52	95303000061	RIGHT LAWNMOWER OVERTURNING SPRING	
53	00111000155	NUT M6	
54	95418000002		
55	00111350030	SCREW TSPEI M6X25	
58	95309000003	ENGINE CLOSING PLATE	
60	00111450003	SCREW WASHER M8X20	
61	95332000004	ENGINE BUMPER	
62	00111250004	SELF LOCKING NUT M10 UNI 7473	
63	00111970247	SCB ANTI VIBRATION MOUNTING	
64	00111000070	WASHER P. 11X30X2.5 ZNT	
65	00111300043	SCREW TE UNI 5737 M10x45 8.8	

**PG-SR**

10 - PG/SR 280 D/DW  
58 - - PG 220 D  
61 - PG 230

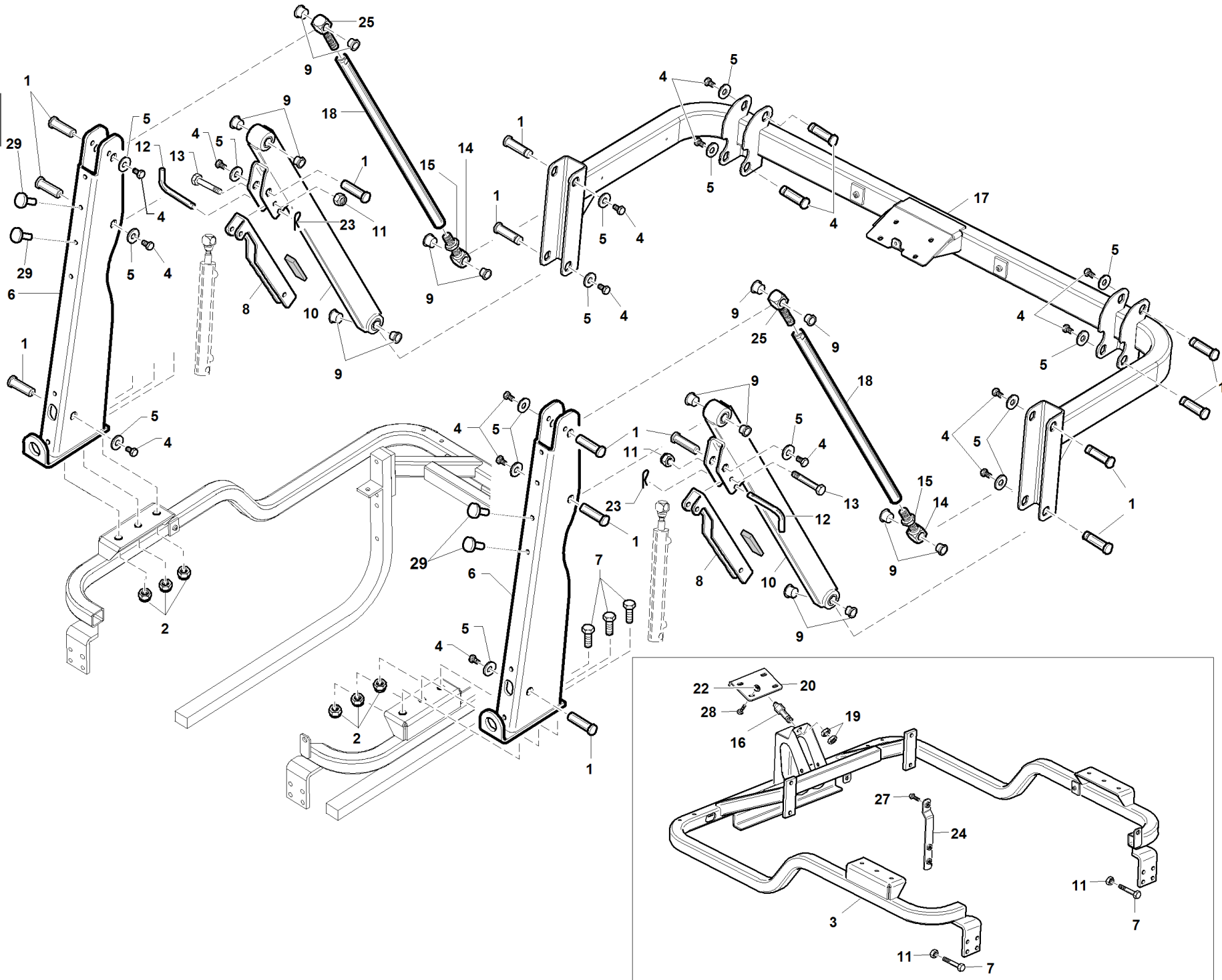


#	P/N	DESCRIPTION	PG-SR
1	PC95049280000	RIGHT COMPL.CHANNEL	
2	95301130000	FRONTAL FRAME	
3	95301340000	ENGINE RIGHT SIDE BODY	
4	PC95049290000	LEFT COMPL.CHANNEL	
5	95400111000		
6	95410000017		
7	95400130000		
8	00111970066	CABLE HOLDER D.I.9	
9	95048100011	HOOD STOP PIN	
10	95410000011		
11	00111970118	VIBRATION-DAMPING STOPPER M6 F H=31	
12	00111000071	SELF LOCKING NUT M8 UNI 7473	
13	00111450005	SCREW/W M6X16	
14	00111990038	CLOSURE 18-1104	
15	95417111001		
16	00111300029	SCREW TE M10X55	
17	00111250013	SELF BL.NUT M10	
18	95409150000		
19	95301000005	LEFT FOOTBOARD	
21	PV95049000025	COLLECTOR EXTRACTABLE GRID	
22	95301000006	RIGHT FOOTBOARD	
23	00111450004	SCREW WASHER M8X12	
24	95125110000	RIGHT BRACKET	
25	95301160001	LEFT GEAR BOX SUPPORT	
26	95301170001	RIGHT GEAR BOX SUPPORT	
27	95125190000	LEFT BRACKET	
28	00111000166	SELF LOCKING NUT M6 UNI 7473	
29	00111000076	SCREW TE M10X25	
30	00111000103	SCREW TE M10X30	
32	00111000061	WASHER 8.4X24X2	
34	00111000067	ALLEN SCREW M10X20	
35	95301150000	LIFTING ARMS SUPPORT	
36	95303250000	VALVE SUPPORT	
37	95049000027	AIR STOP 20X5 301F L = 40 mm	
38	PC95049260000	BATTERY HOLDER	
39	00111350019	SCREW TSPEI M4X14	
40	00111250006	SELF BL. NUT M4	
41	95303000059	VALVE PROTECTION	
42	00111450001	SCREW WASHER M8X25	
43	00111970010	RUBBER EDGE 14X18X23	
44	95200140000	ENGINE SUPPORT COMPLETE	
45	00111000087	WASHER P.8,4X15.6X1,5	
46	00111250014	SELF BL. NUT M8	
47	00111300064	SCREW M8X25	
48	95303000024	PLATE ARMS FOR MOWER DECK OVERTURNING	
49	95201000004	RIGHT KUBOTA ENGINE FAIRING GRID	
50	00111800007	RIVET D.3,9X12	
51	95303000062	LEFT LAWNMOWER OVERTURNING SPRING	
52	95303000061	RIGHT LAWNMOWER OVERTURNING SPRING	
53	00111000155	NUT M6	
54	95418000002		
55	00111350030	SCREW TSPEI M6X25	
58	95309000003	ENGINE CLOSING PLATE	
60	00111450003	SCREW WASHER M8X20	
61	95332000004	ENGINE BUMPER	



#	P/N	DESCRIPTION	PG-SR
1	94500000087	INSIDE BEARING PROTECTION	
2	00111250011	SELF BL. NUT M14x1,5	
3	95303110004	SPACER D14.5XD35X3	
4	00777100012	BEARING 6006 2RS 30X55X13	
5	95303110005	SPACER D31 XD36 X45	
6	00111650003	SNAP RING D.55 I	
7	00111250007	SELF BL. NUT M20X1.5	
8	95303110003	SPACER D20.5X D35X3	
9	00777100053	BEARING 61906 30X47X9	
10	95303110001	SPACER D30.3 X D38 X3	
11	95303110002	AXLE PIN	
12	95301200000	REAR COMPLETE AXLE	
13	95409200000	REAR WHEEL MOTOR PROTECTION	
14	95409140000		
15	00111000103	SCREW TE M10X30	
16	00111250013	SELF BL.NUT M10	
17	00111300052	SCREW TE UNI 5739	
18	95303110007	STEERING PIN	
19	95409170000	RIGHT ORBITAL SUPPORT	
20	95409160000	LEFT ORBITAL SUPPORT	
21	95301000013	STEERING HYDRAULIC JACK	
22	00777200024	AXLE ARTICULATION M14X1.5	
23	00111150024	NUT M12X1.25 - 6S	
24	00777200023	STEERING ARTICULATION M12X1.25	
25	00111500027	NUT M12X1.25	
26	00111300084	SCREW TE M10X35	
27	00111250013	SELF BL.NUT M10	
28	00111000105	WASHER P.13X24X2,5 UNI 6592	
29	00111300070	SCREW TE M12x50	
30	95598840000		
31	00111750007	SPLIT PIN	
32	00111250025	NUT METB 8MA	
33	95303000014	WHEEL SUPPORT	
34	95303000011	TIE ROD STEERING	
35	95599610000	OIL SEAL KIT	
36	95598240000	STEER. ARTICUL. GUARD KIT (00777200023)	
37	00111250008	SELF LOCKING NUT M12 UNI 7473	
38	00111350005	SCREW TSPEI M10X30	
39	95303110006	SPACER Ø31XØ36X72	
40	91003100002		
41	00111450001	SCREW WASHER M8X25	
42	95597260000	AXIAL JOINT GUARD KIT (00777200024)	

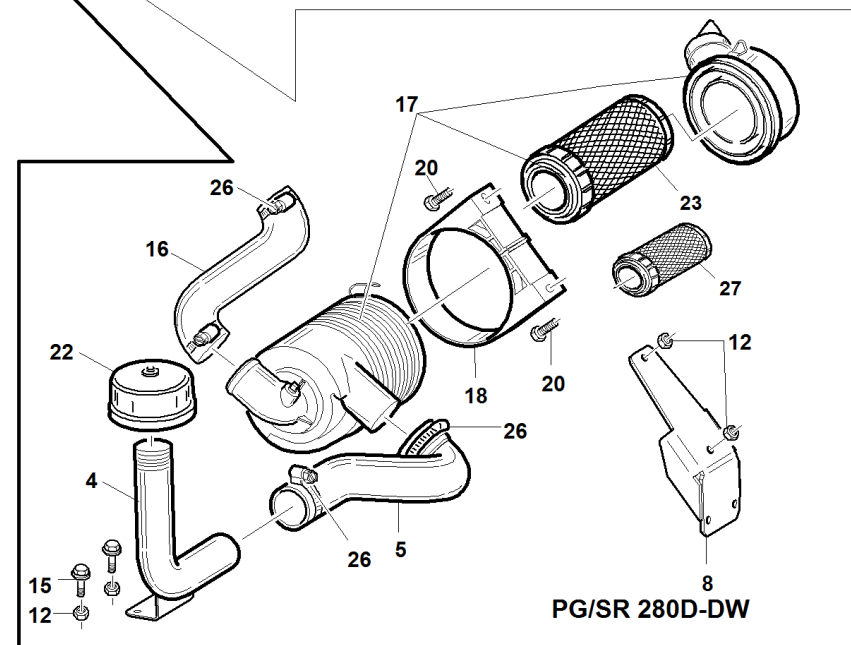
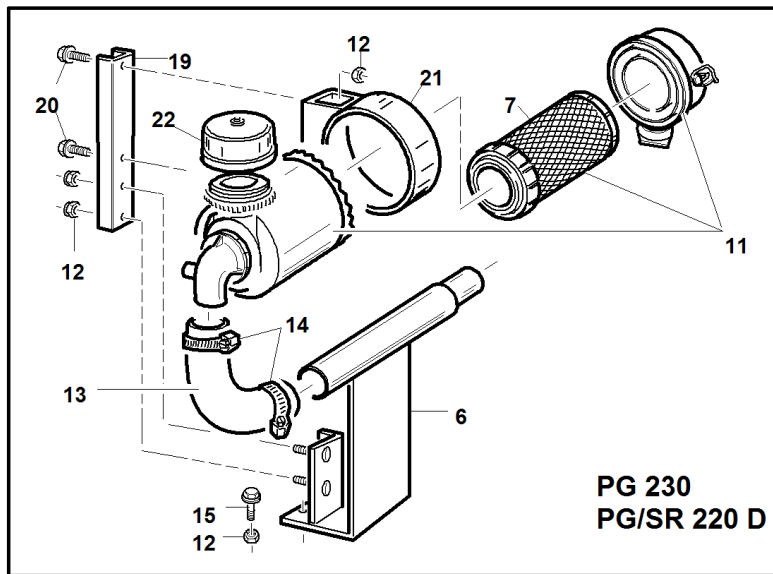
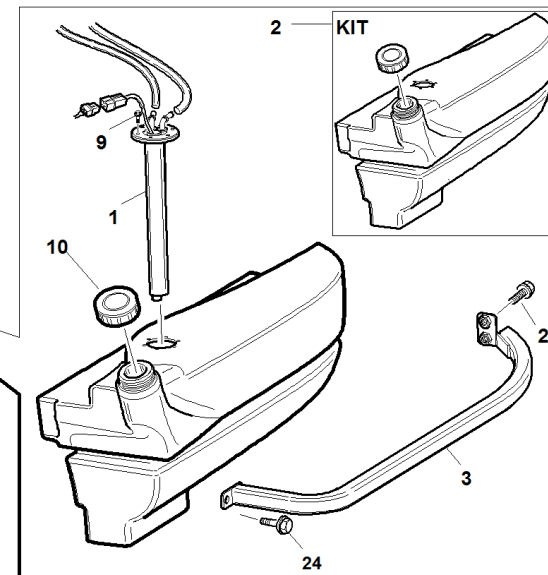
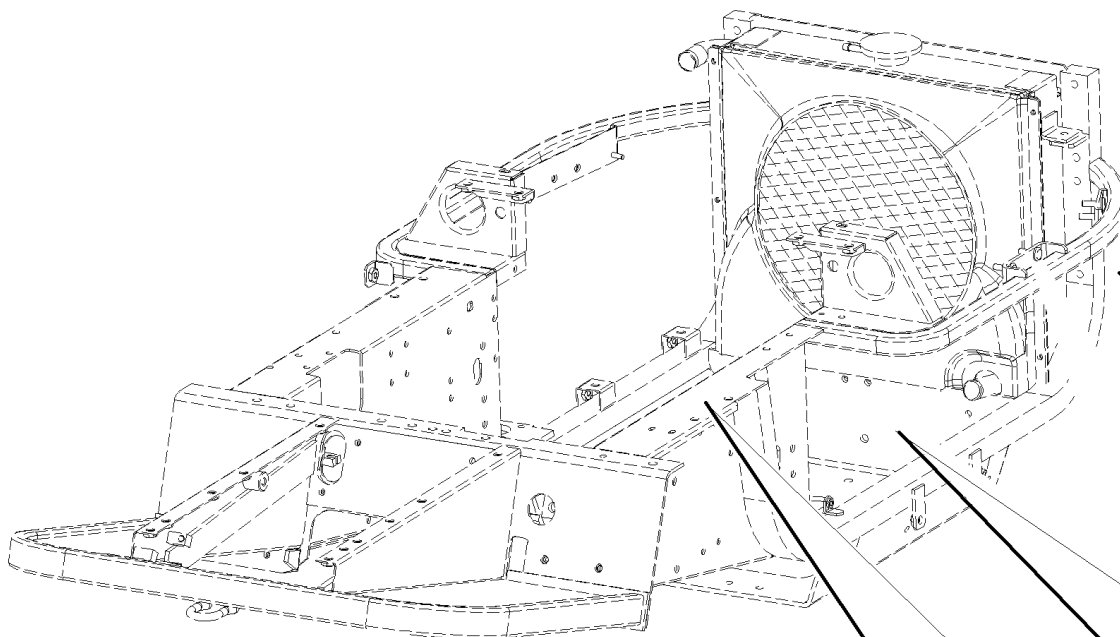
**PG-SR**



#	P/N	DESCRIPTION	PG-SR
1	94010000060	CYLINDER FIXING PIN	
2	00111250004	SELF BL. NUT M10	
3	95411100000	COMPLETE FRAME	
4	00111000081	SCREW TE M8X16	
5	00111000061	WASHER 8.4X24X2	
6	95305110000	HIGH DUMP COLUMN	
7	00111300018	SCREW TE M10X35	
8	95125000008	SECURITY CAP	
9	00111990017	BUSHING WITH EDGE TFF 20/16,5	
10	95305100000	COMPLETE LIFTING ARM	
11	00111250004	SELF BL. NUT M10	
12	95125000009	PIN	
13	00111300049	SCREW TE UNI 5737	
14	94013000015	BUSHING M20X1.5	
15	00111150011	NUT 5589 M20X1.5	
16	94500000062	LOCKING HOPPER PIN	
17	95411110000		
18	95305000003	HIGH DUMP TIE ROD	
19	00111150005	NUT M16X1.5	
20	94500000072	CENTRING HOPPER PLATE	
21	00111150001	NUT M18X1.5	
22	00111000071	SELF BLO. NUT M8	
23	00111750004	"BETA DECO" SPLIT PIN	
24	95409130000	STAFFA FISSAGGIO COLLARE COMP.ZNT	
25	94017000003	BUSHING M20X1.5 LEFT	
26	00111970168	CLOSER PLUG	
27	00111450004	SCREW WASHER M8X12	
28	00111450024	SCREW M8 X 20	
29	00111970169	CLOSER PLUG D. 10.5	

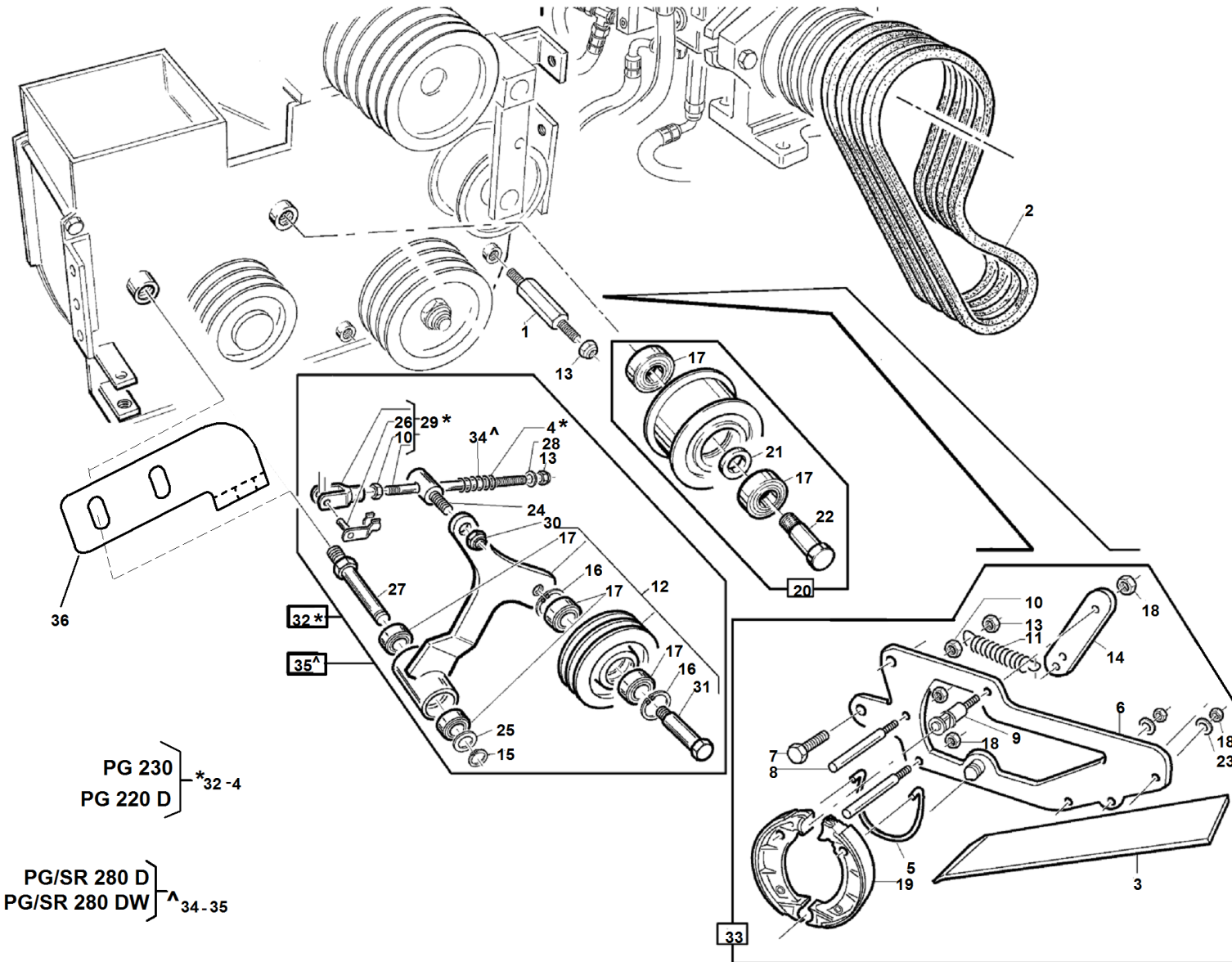


**PG-SR**



#	P/N	DESCRIPTION	PG-SR
1	00777800199	RESERVE GAUGE	
2	95400150000		
3	95400140000		
4	95410170000		
5	95410000004		
6	95301300000	ASPIRATION IRON TUBE	
7	00777650042	AIR FILTER CARTRIDGE	
8	95410000014		
9	00111450017	SCREW FR M4X18	
10	00111970155	FILLERCAP WITH VALVE	
11	00777650057	DONALDSON AIR FILTER	
12	00111000071	SELF BLO. NUT M8	
13	95301000029	AIR FILTER HOSE	
14	00111810012	CLAMP 40-60 TYPE NORMA	
15	00111450003	SCREW WASHER M8X20	
16	95410000003		
17	00777650072	5" AIR FILTER CARTRIDGE	
18	00777650073		
19	95301000028	FILTER SUPPORT	
20	00111450001	SCREW WASHER M8X25	
21	00777650043	BRACKET AIR FILTER SUPPORT	
22	00777650059	AIR PRE-FILTER	
23	00777650077	AIR FILTER DONALDSON 5"	
24	00111450007	FALS SCREW R.M10X25	
25	00111300062		
26	00111810012	CLAMP 40-60 TYPE NORMA	
27	00777650079	AIR PRE-FILTER DONALDSON 5"	

**PG-SR**

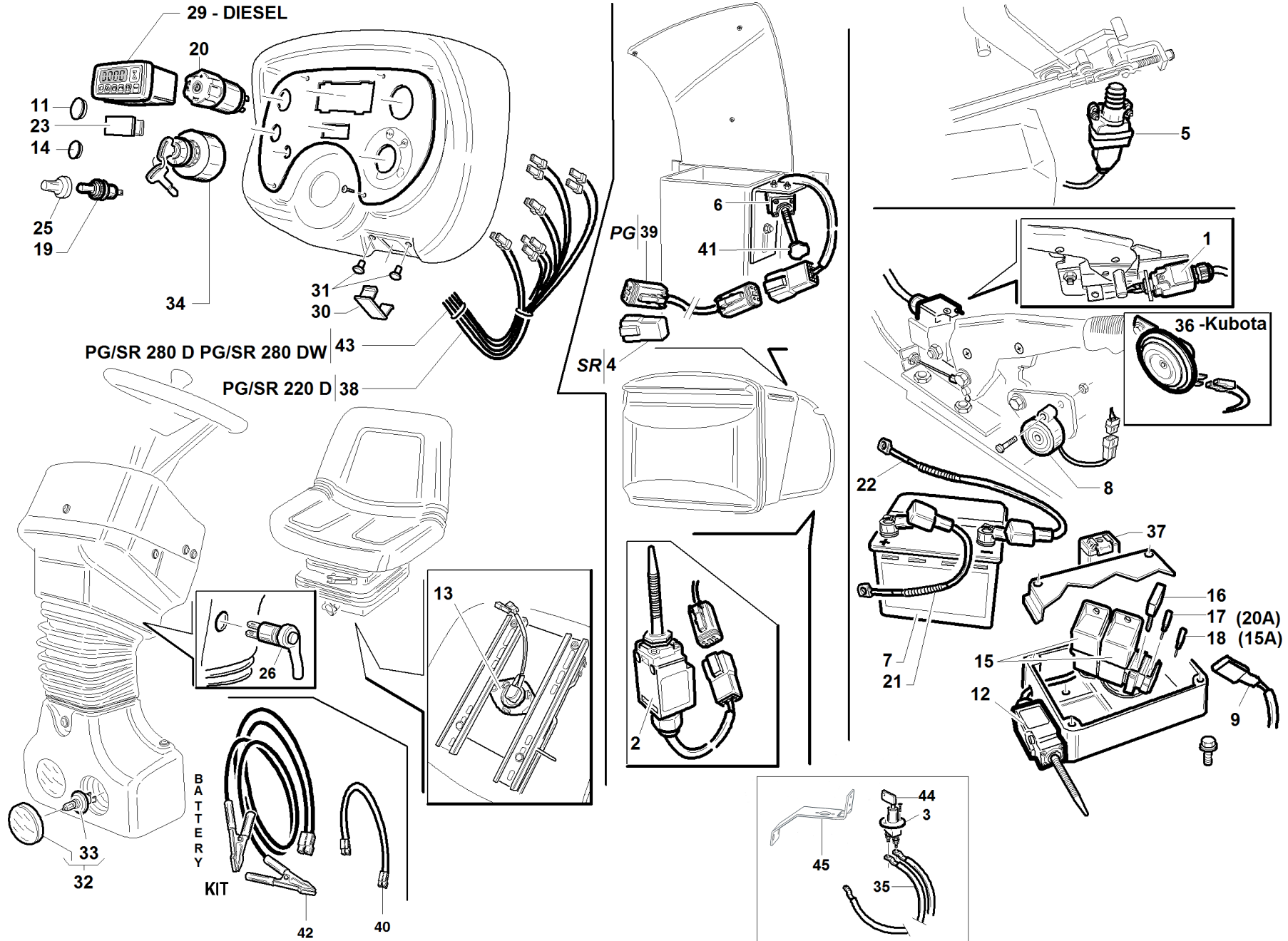


PG 230 }  
PG 220 D } \*32-4

PG/SR 280 D }  
PG/SR 280 DW } ^34-35

#	P/N	DESCRIPTION	PG-SR
1	95302100001	THREADED SPACER	
2	00111980006	BELT GATES POWERATED 6853	
3	95301220000	BELT STOP PLATE	
4	95201000006	BELTS ENGINE SPRING	
5	00111990112	SPRING FOR BRAKE	
6	95301210000	BRAKE SUPPORT	
7	00111000033	SCREW TE M8X30	
8	95301000014	BELT STOP PIN	
9	00111990113	BRAKE BLOCK NOSE	
10	00111000166	SELF LOCKING NUT M6 UNI 7473	
11	94500000103	BRAKE RECOVERY SPRING	
12	95302101300	ASSEMBLED ENGINE BELT TIGHTENER	
13	00111000071	SELF LOCKING NUT M8 UNI 7473	
14	95301000018	BRAKE LEVER	
15	00111650004	SNAP RING D.15 E	
16	00111650005	SNAP RING D.35 I	
17	00777100005	KOYO BEARING 6202 2RS	
18	00111000166	SELF LOCKING NUT M6 UNI 7473	
19	00111990111	COMPL. RUNNER	
20	95302101700	STOP BELT PULLEY	
21	95029000023	SPACER 15,5x20x12,2	
22	95029000012	THREADED SHAFT M14X1,5 LEFT	
23	00111000037	WASHER 6.6X18X2	
24	94010820000	SPRING TENSION DRILL ROD	
25	00111500004	WASHER 15,2X28X2.5 UNI 6592TE	
26	00111000194	FORKED PIN D.8	
27	95049390002	BELT-TIGHTENER ENGINE SHAFT	
28	00111000061	WASHER 8.4X24X2	
29	94500730000	LEVER STAFF BELT TIGHTENER	
30	00111000080	SELF LOCKING NUT M10 UNI 7474	
31	95049392101	THREATED SHAFT M14X1,5	
32	95599600000	PG ENGINE BELT TIGHTENER KIT	
33	95301330000	ASSEMBLED BLADE BRAKE	
34	95200000002	ENGINE BELT TIGHTENER SPRING	
35	95598850000		
36	95301000003	TIGHTENER STAFF SUPPORT	

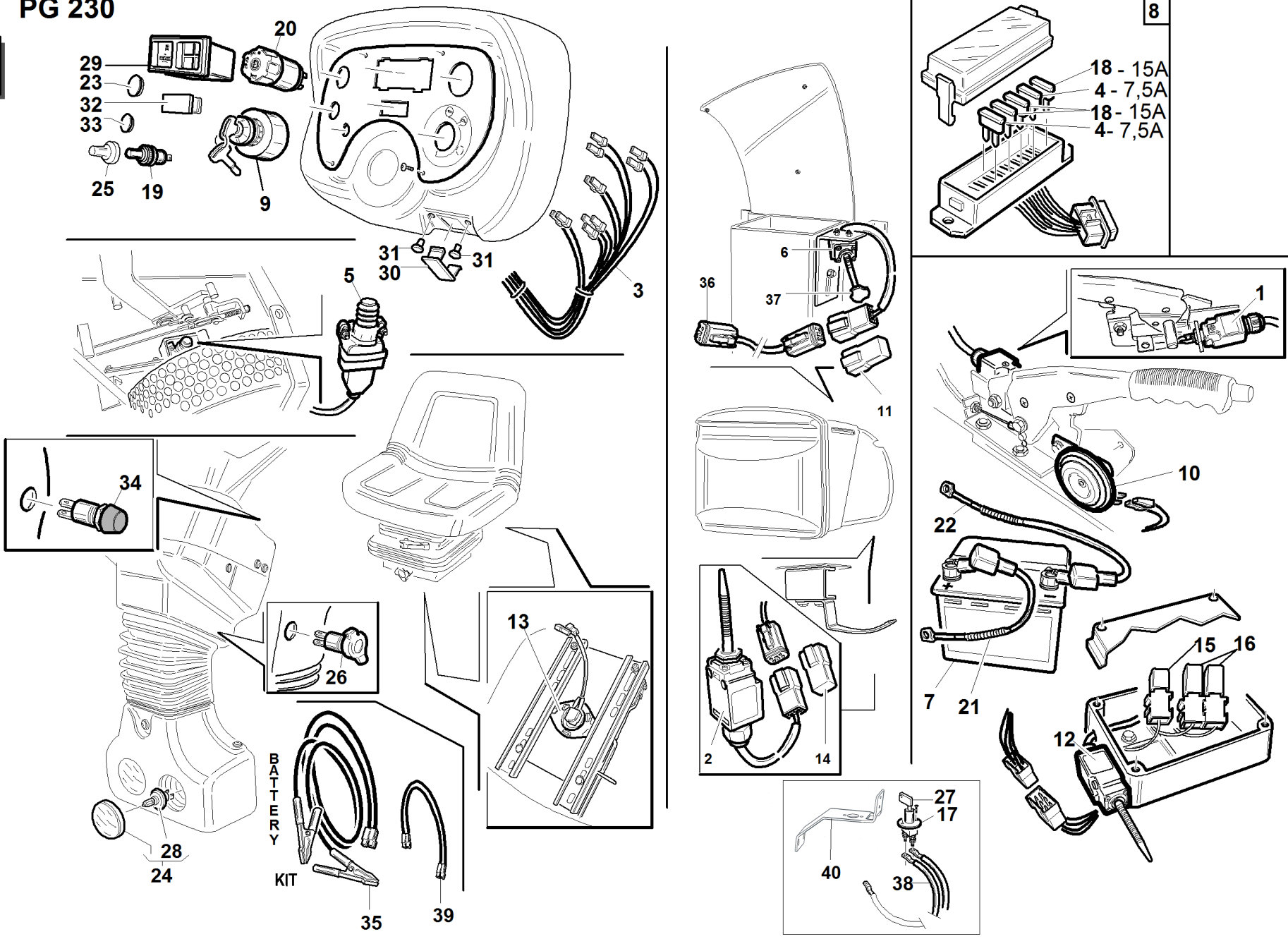
**PG-SR**



#	P/N	DESCRIPTION	PG-SR
1	95200100000	HAND BRAKE DIESEL WIRED MICRO	
2	91002140007	MULTI-PURPOSE WIRED MICRO SWITCH	
3	00777800198	BATTERY SWITCH	
4	00777800241	CONNECTOR	
5	00777800023	PUSH BUTTON 15117000	
6	95401000001		
7	95599000036	BATTERY 12V 43A	
8	95301310000	WARNING HORN	
9	00777800240	DELAY TIMER (2 seconds)	
11	00111970157	BLACK PLUG	
12	95201101500	CLOSE HOOD WIRED MICRO	
13	00777800174	PG SEAT SWITCH	
14	00111970158	BLACK PLUG	
15	00777800098	RELAY 12V 70A	
16	00777800099	FUSE 70A	
17	00777800126	BLADE FUSE 20A	
18	00777800080	BLADE FUSE 15A	
19	00777800108	SWITCH	
20	00777800143	LIGHT SWITCH AND HORN BUTTON	
21	95338130001		
22	95338130004	NEGATIVE BATTERY CABLE	
23	00111970162	PILOT LIGHT COVER	
24	00777802400	ASYMMETRIC PROJECTOR	
25	00777800109	SWITCH CAP	
26	00777800107	BIPOLAR TAP	
27	00777800152	BULB 12V 45/40W	
28	00777800156	RUBBER GUARD	
29	00777801000	COMPUTER PG	
30	00111970159	PLUG	
31	00111970095	KNOB -81205-	
32	00777800137	PROJECTOR	
33	95599000021	LAMP WITH SUPPORT	
34	00777800130	KUBOTA KEY BLOCK	
35	95338130002	GROUND CABLE	
36	00777800022	HORN 12V	
37	00777800173	KUBOTA RELAY T0070-31410	
38	95418100001		
39	95411000001		
40	95338130003	WIRED EMERGENCY BATTERY PLUG	
41	00111970042	FEMALE KNOB THB20M4	
42	92001290005	WIRED BATTERY PLUG	
43	95410140001	KUBOTA HARNESS PG280	
44	00777800203	BATTERY DISCONNECTION KEY	
45	95301000040	BATTERY SUPPORT BRACKET	

**PG 230**

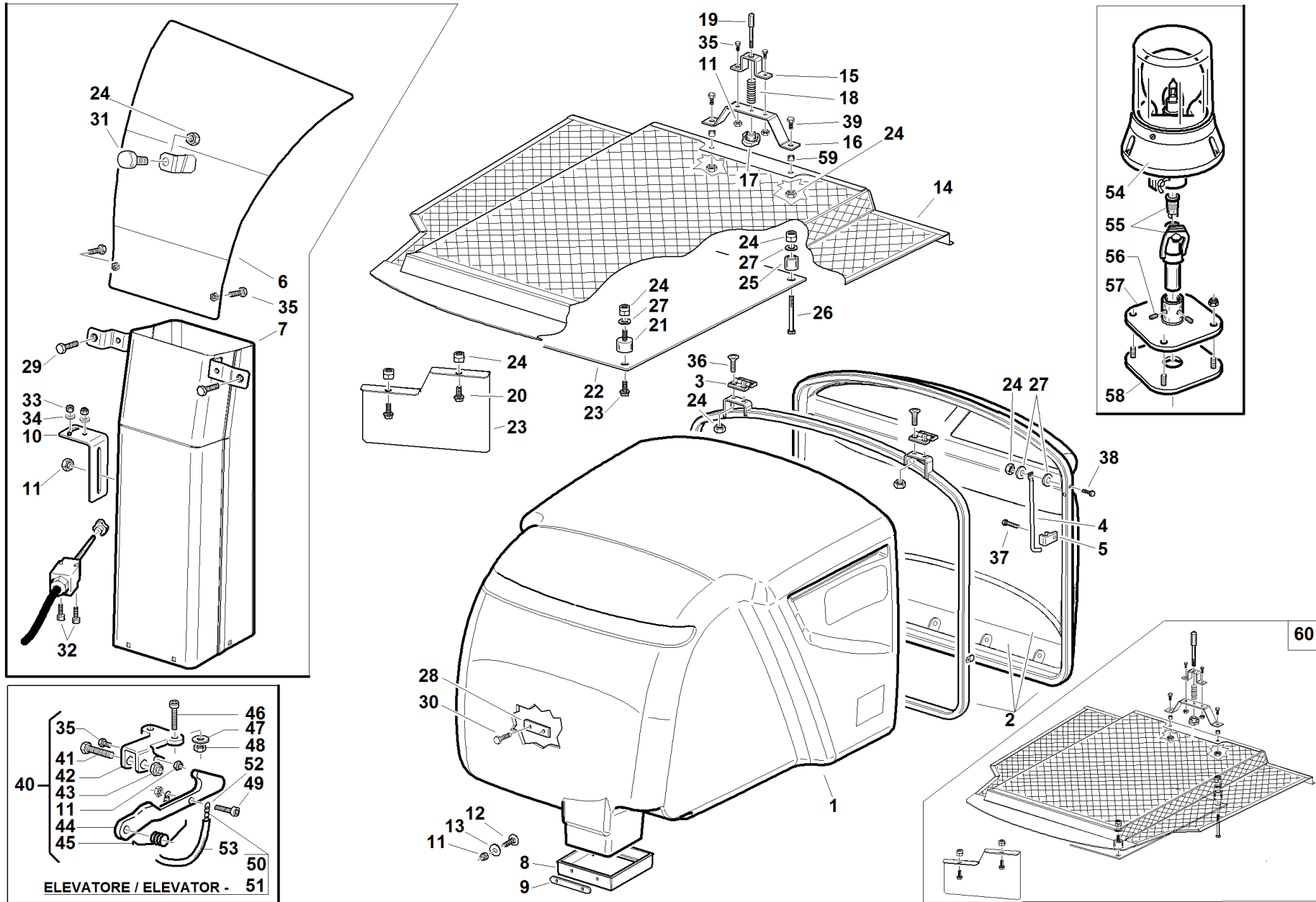
**PG-SR**



#	P/N	DESCRIPTION	PG-SR
1	95042510000	PARK BRAKE WIRED SWITCH	
2	91008110003	CLOSED HOOD WIRED MICRO SWITCH	
3	95417100001		
4	00777800078	BLADE FUSE 7,5 AMP	
5	00777800023	PUSH BUTTON 15117000	
6	95401000001		
7	95599000036	BATTERY 12V 43A	
8	95210140000	FUSE WIRE HARNESS/STARTSWITCH	
9	00777800222	START SWITCH	
10	00777800022	HORN 12V	
11	00777800167	FULL HOPPER WIRED MICRO CAP	
12	95210150000	OPEN ENGINE SPACE WIRED SWITCH	
13	00777800174	PG SEAT SWITCH	
14	00777800168	CLOSED HOPPER WIRED MICRO CAP	
15	00777800035	RELAY 12V 20/30 A	
16	00777800059	MICRO RELAYS 12V	
17	00777800198	BATTERY SWITCH	
18	00777800080	BLADE FUSE 15A	
19	00777800108	SWITCH	
20	00777800143	LIGHT SWITCH AND HORN BUTTON	
21	00777800169	PG GASOLINE BATTERY POSIT.CABLE	
22	95338130004	NEGATIVE BATTERY CABLE	
23	00111970157	BLACK PLUG	
24	00777800137	PROJECTOR	
25	00777800109	SWITCH CAP	
26	00777800107	BIPOLAR TAP	
27	00777800203	BATTERY DISCONNECTION KEY	
28	95599000021	LAMP WITH SUPPORT	
29	00777800157	HOUR COUNTER + PILOT LIGHTS PANEL	
30	00111970159	PLUG	
31	00111970095	KNOB -81205-	
32	00111970162	PILOT LIGHT COVER	
33	00111970158	BLACK PLUG	
34	00777800106	FASTON PUSH BUTTON	
35	92001290005	WIRED BATTERY PLUG	
36	95411000001		
37	00111970042	FEMALE KNOB THB20M4	
38	95332120001		
39	95338130003	WIRED EMERGENCY BATTERY PLUG	
40	95301000040	BATTERY SUPPORT BRACKET	



**PG/SR**



#

P/N

DESCRIPTION

PG/SR

REF. 09 - 0055501909

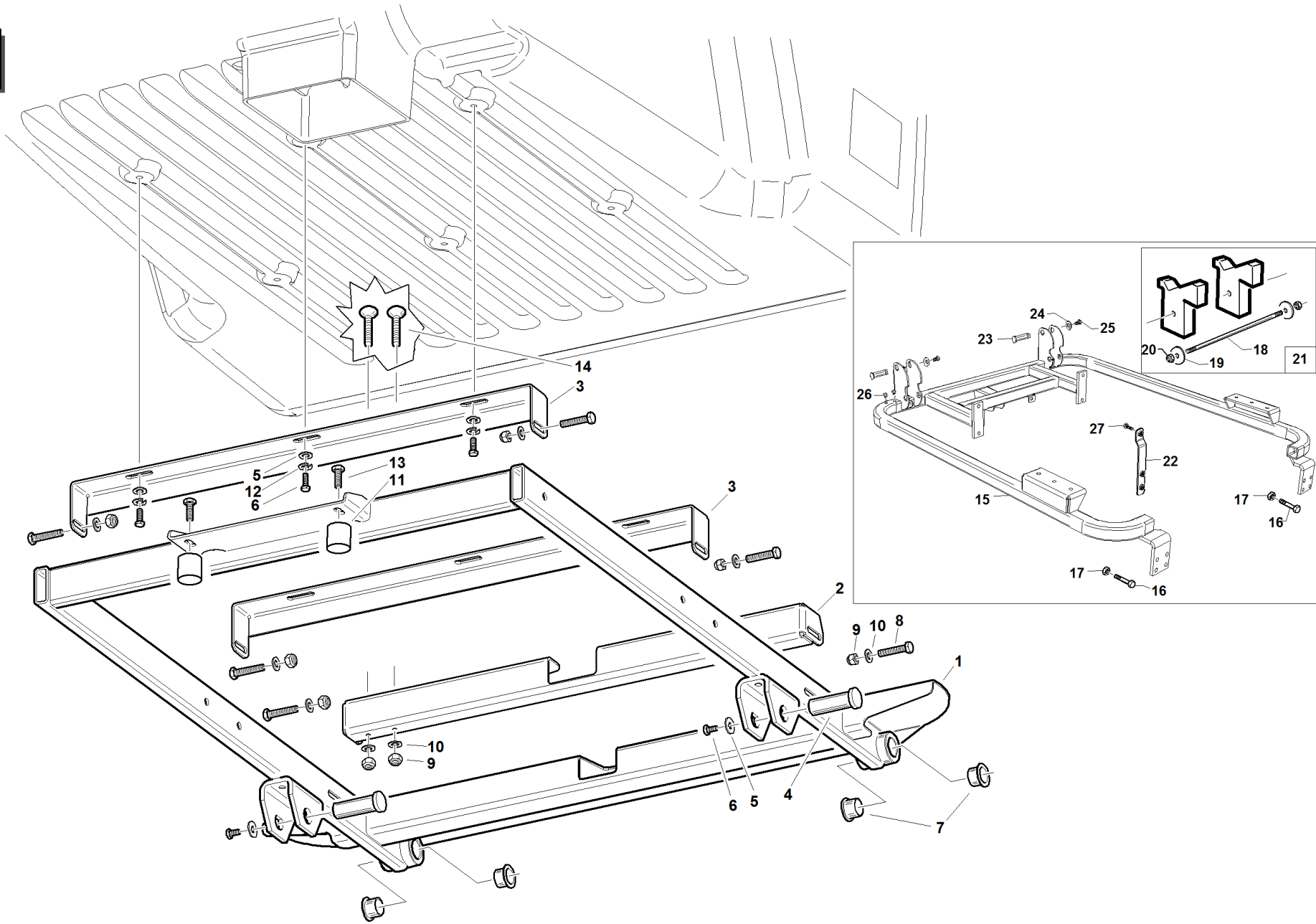
1	95401110002		
2	95598860000	KIT	
3	00111970234	HINGE	
4	95401000006	TIGHTENER STAFF	
5	00111970143	TERMINAL BOARD D.12	
6	95401170000		
7	95401150000		
8	95075100005	COLLECTOR WASHER	
9	95208000002	HOPPER GASKET SUPPORT	
10	95401150005		
11	00111000035	SELF BLOC. NUT M6	
12	00111340008	SCREW	
13	00111000037	WASHER 6.6X18X2	
14	95401130000	RETE CESTO COMPLETA ZNT	
15	95140000001	PIN FIXING PLATE	
16	95401000008	SUPPORT	
17	00111970014	KNOB M6	
18	94010000097	SPRING PR F.1-8.5-40-11 TDM INOX	
19	95140000002	THREADED PG HOPPER SHAFT M6	
20	95401000005	PARATIA RETE CESTO	
21	00111970127	STOPPER M8 D30X20	
22	95401000007	PARATIA RIPARO RETE CESTO	
23	00111000127	SCREW WASHER M8X20	
24	00111000095	SELF BLO. NUT M8	
25	92002100006	SPACER Ø12X20 H=18.3 ZNT	
26	00111300020	SCREW TE M8X70	
27	00111000087	WASHER P.8,4X15.6X1,5	
28	00111000047		
29	00111450020	SCREW M8 X 16	
30	00111450012	SCREW FR M 6X20	
31	00111970179	VIBRATION-DAMPING STOPPER	
32	00111300024	SCREW TE M4X35	
33	00111250006	SELF BL. NUT M4	
34	00111500010	WASHER 4.3X9X0.8	
35	00111450005	SCREW/W M6X16	
36	00111350021	SCREW TSPEI M8X25	
37	00111370008	SCREW	
38	00111300015	SCREW TE M8X55	
39	00111450002	SCREW WASHER M8X30	
40	95075110000	SHORT HOPPER CLOSING HOOK	
41	00111300043	SCREW TE UNI 5737 M10x45 8.8	
42	95101000004	SUPPORT COLLECTOR HOOK	
43	00111250004	SELF BL. NUT M10	
44	95075000001	COVER CLOSING HOOK	
45	95101000005	SPRING COLLECTOR HOOK	
46	00111400008	ALLEN SCREW M5X20	
47	00111500005	WASHER 5.5X15X1.6	
48	00111000183	SELF BL. NUT M5	
49	00111400029	SCREW UNI 5931	
50	95411000004		
51	00111970241		
52	95414000001		
53	00111970242		
54	00777801400	ROTATING LAMP	
55	00777801500	LAMP COUPLING	
56	00111960003	GRUB M6X10	
57	PZ95113100000	LAMP SUPPORT	
58	PZ95113110000	LAMP PLATE	
59	94500000051	SPACER 10.25X16X10.5	

**#****P/N****DESCRIPTION****PG/SR****REF. 09 - 00555501909**

60

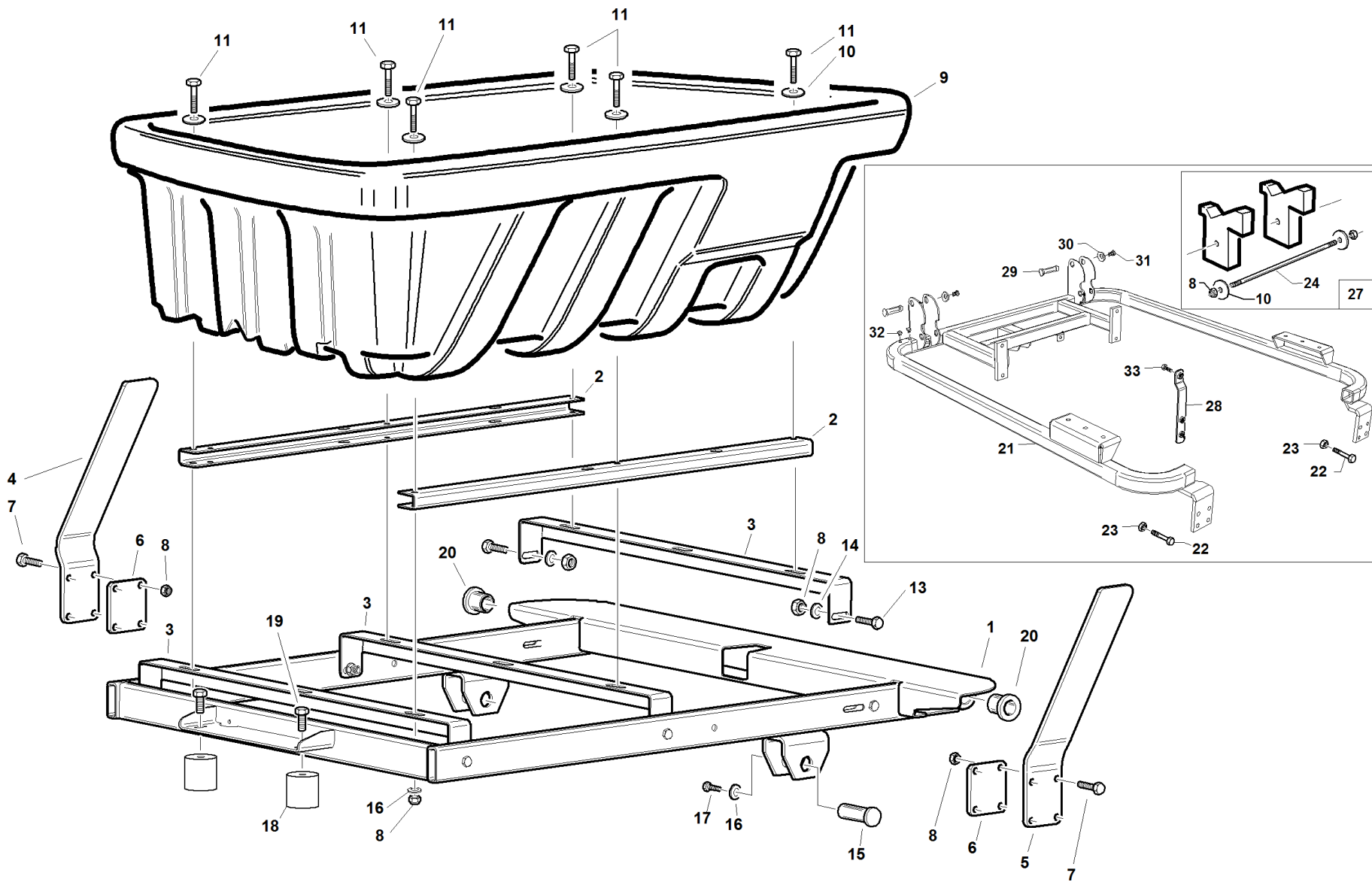
95597030000

PG ROTATIONAL HOPPER GRID 800 Lt

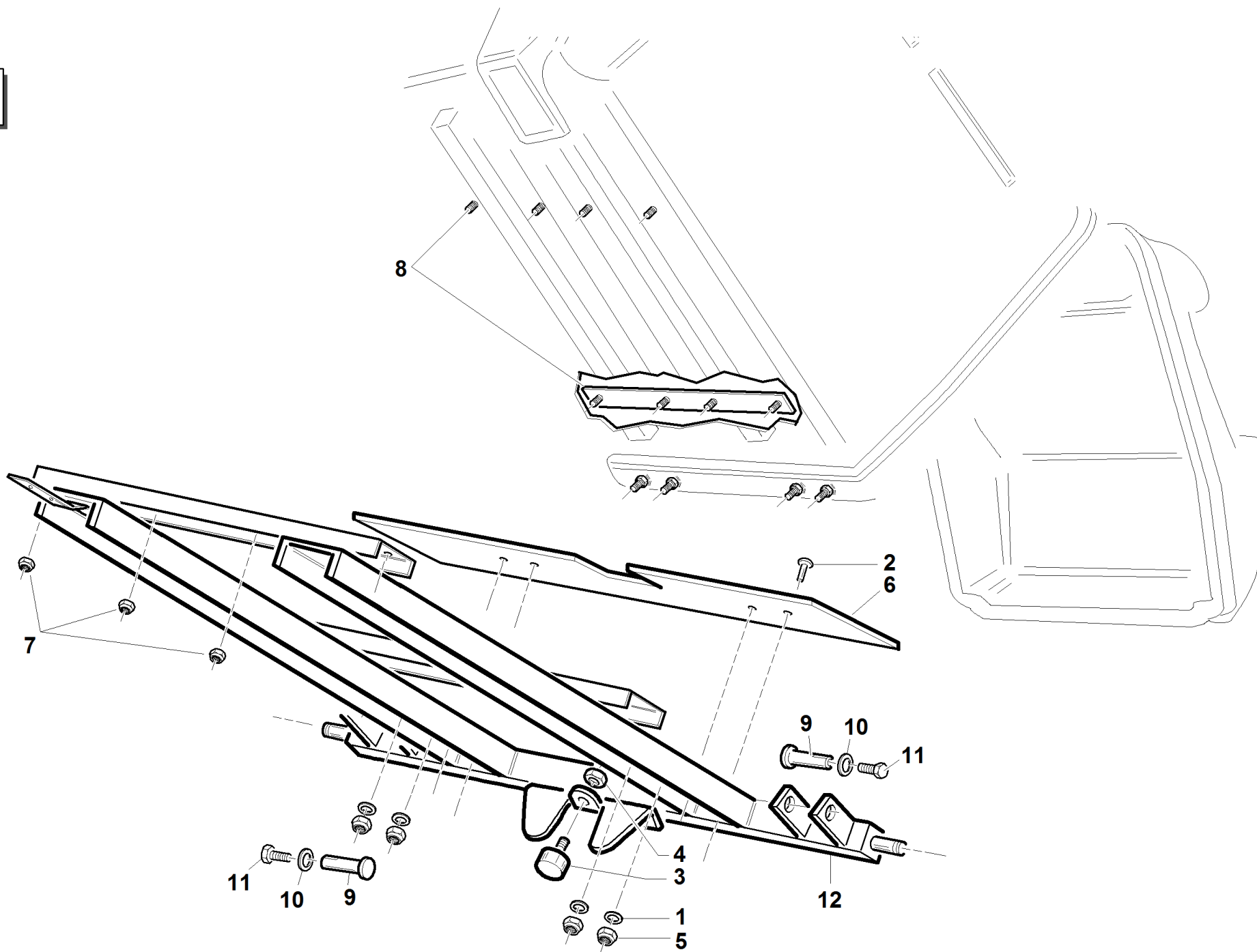


#	P/N	DESCRIPTION	PG/SR
1	95401120000		
2	95401000002		
3	95401000003		
4	91007000003	OVERTURNING PIN L=48	
5	00111000061	WASHER 8.4X24X2	
6	00111000081	SCREW TE M8X16	
7	00111990017	BUSHING WITH EDGE TFF 20/16,5	
8	00111000094	SCREW TE M8X40	
9	00111000071	SELF BLO. NUT M8	
10	00111000087	WASHER P.8,4X15.6X1,5	
11	00111180001	VIBRATION-DAMPING STOPPER	
12	00111000179	GROWER WASHER M8	
13	00111450003	SCREW WASHER M8X20	
14	00111000111	SCREW TSPEI M8X40	
15	95414100000		
16	00111300018	SCREW TE M10X35	
17	00111250004	SELF BL. NUT M10	
18	95153000002	BALLAST BAR L=420	
19	00111000132	WASHER P. 8,4X32X2,5 ZNT	
20	00111000071	SELF BLO. NUT M8	
21	95238000000		
22	95409130000	STAFFA FISSAGGIO COLLARE COMP.ZNT	
23	94010000060	CYLINDER FIXING PIN	
24	00111000061	WASHER 8.4X24X2	
25	00111000081	SCREW TE M8X16	
26	00111970168	CLOSER PLUG	
27	00111450004	SCREW WASHER M8X12	

**PG/SR**



#	P/N	DESCRIPTION	PG/SR
1	95401120000		
2	95415000001		
3	95401000003		
4	95415000003		
5	95415000002		
6	95415000004		
7	00111300015	SCREW TE M8X55	
8	00111000071	SELF BLO. NUT M8	
9	95170100000	ROTATIONAL TRAY	
10	00111000132	WASHER P. 8,4X32X2,5 ZNT	
11	00111300007	SCREW TE M8X130	
13	00111000094	SCREW TE M8X40	
14	00111000087	WASHER P.8,4X15.6X1,5	
15	91007000003	OVERTURNING PIN L=48	
16	00111000061	WASHER 8.4X24X2	
17	00111000081	SCREW TE M8X16	
18	00111180001	VIBRATION-DAMPING STOPPER	
19	00111450003	SCREW WASHER M8X20	
20	00111990017	BUSHING WITH EDGE TFF 20/16,5	
21	95414100000		
22	00111300018	SCREW TE M10X35	
23	00111250004	SELF BL. NUT M10	
24	95153000002	BALLAST BAR L=420	
27	95238000000		
28	95409130000	STAFFA FISSAGGIO COLLARE COMP.ZNT	
29	94010000060	CYLINDER FIXING PIN	
30	00111000061	WASHER 8.4X24X2	
31	00111000081	SCREW TE M8X16	
32	00111970168	CLOSER PLUG	
33	00111450004	SCREW WASHER M8X12	

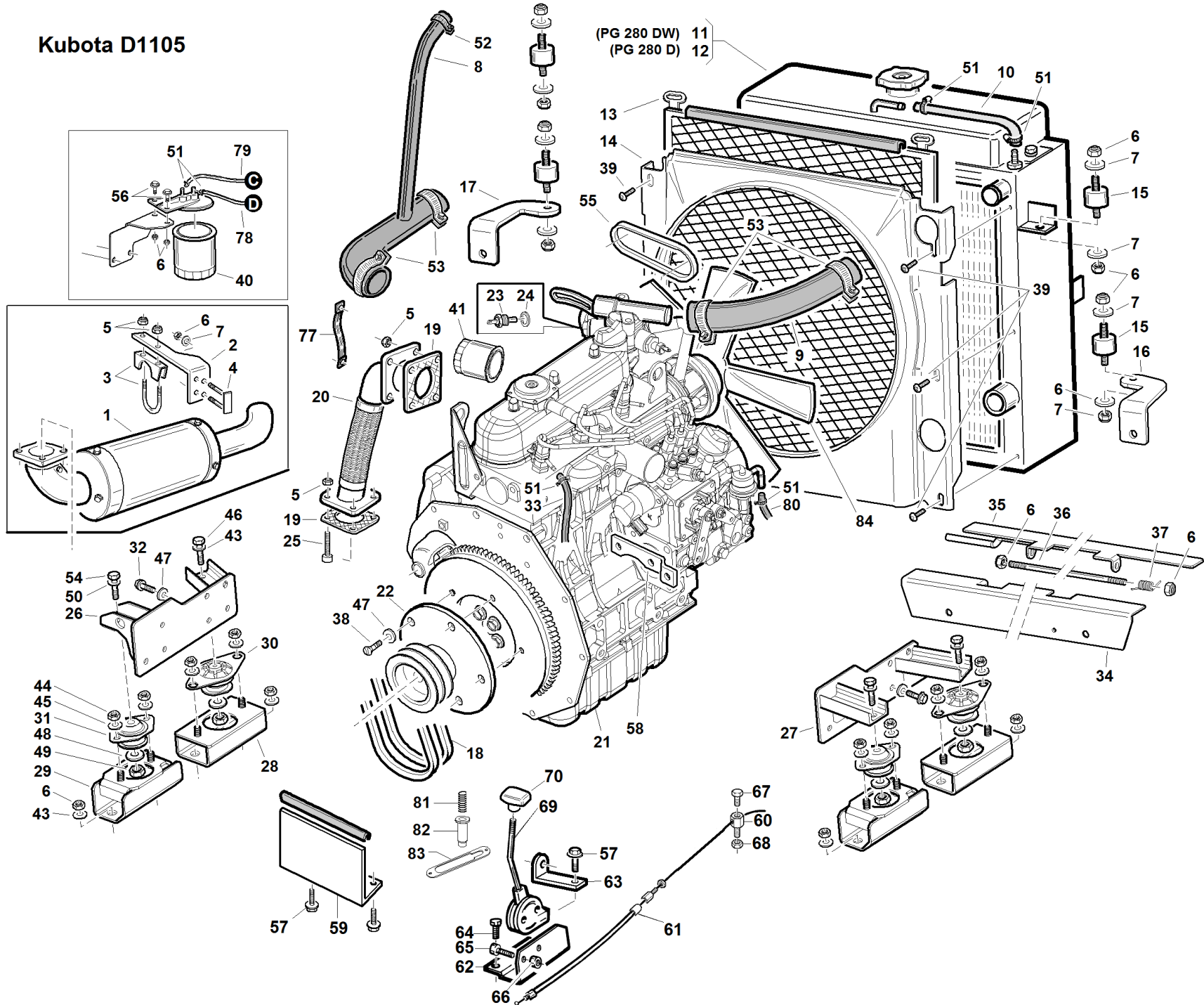




**#****P/N****DESCRIPTION****PG/SR****REF. 12**

**Kubota D1105**

**PG/SR**



**S/N**  
→ **1207025**

**REF. 12 - 00555501913**

#	P/N	DESCRIPTION	PG/SR	REF. 12 - 00555501913
1	95410000022			
2	95410000021			
3	00111810025	EXHAUST CLAMP D=42		
4	95124160000	MUFFLER FIXING PLATE		
5	00111250018	"NUT ""CONEKLOK"" M8"		
6	00111000071	SELF LOCKING NUT M8 UNI 7473		
7	00111000087	WASHER P.8,4X15.6X1,5		
8	95410000005			
9	95410000006			
10	95410000008			
11	95410000001			
12	95422000001			
13	95410150000			
14	95410000002			
15	00111970119	VIBRATION-DAMPING STOPPER M8 H=20		
16	95410000010			
17	95410000009			
18	95598530000	QUAD POWER III XPA932 BELTS KIT		
19	00111990086	KUBOTA MAINFOLD EXHAUST GASKET		
20	95410000012			
21	00777700036			
22	95410000015			
23	00777800123	WATER TEMPERATURE SENSOR		
24	00777600003	WASHER COPPER 3/8		
25	00111000094	SCREW TE M8X40		
26	95410120000			
27	95410130000			
28	95410110000			
29	95410100000			
30	00111970050	ENGINE VIBRATIONS-DUMPING BLOCK		
31	00111970221			
32	00111400031	HEX SOCKET HEAD CAP SCREW M10X20 UNI5932		
33	95410000028			
34	95410000013			
35	95410160000			
36	91001000027	BRAKE ROD		
37	95504000019	SPRING TROLLEY ATTACHM.		
38	00111300110			
39	00111450005	SCREW/W M6X16		
40	00777650075	KUBOTA D1105 FUEL FILTER		
41	00777650078	KUBOTA D1105 OIL FILTER		
43	00111000132	WASHER P. 8,4X32X2,5 ZNT		
44	00111000080	SELF LOCKING NUT M10 UNI 7474		
45	00111000015	WASHER D.10,5X21X2		
46	00111300052	SCREW TE UNI 5739		
47	00111550005	WASHER M10		
48	00111970232			
49	00111250002	SELF LOCKING NUT M12 UNI 7474		
50	00111000105	WASHER P.13X24X2,5 UNI 6592		
51	00111810010	CLAMP 10-16 TYPE NORMA		
52	00111810008	CLAMP 12-20 TYPE NORMA		
53	00111810042			
54	00111300010	SCREW TE M12X70		
55	00111980049	KUBOTA D1105 ALTERNATOR BELT		
56	00111450001	SCREW WASHER M8X25		
57	00111450003	SCREW WASHER M8X20		
58	91009000008			
59	95309110000	ENGINE BUMPER		
60	95124000014	LOCK ACCELERATOR CABLE		

#

P/N

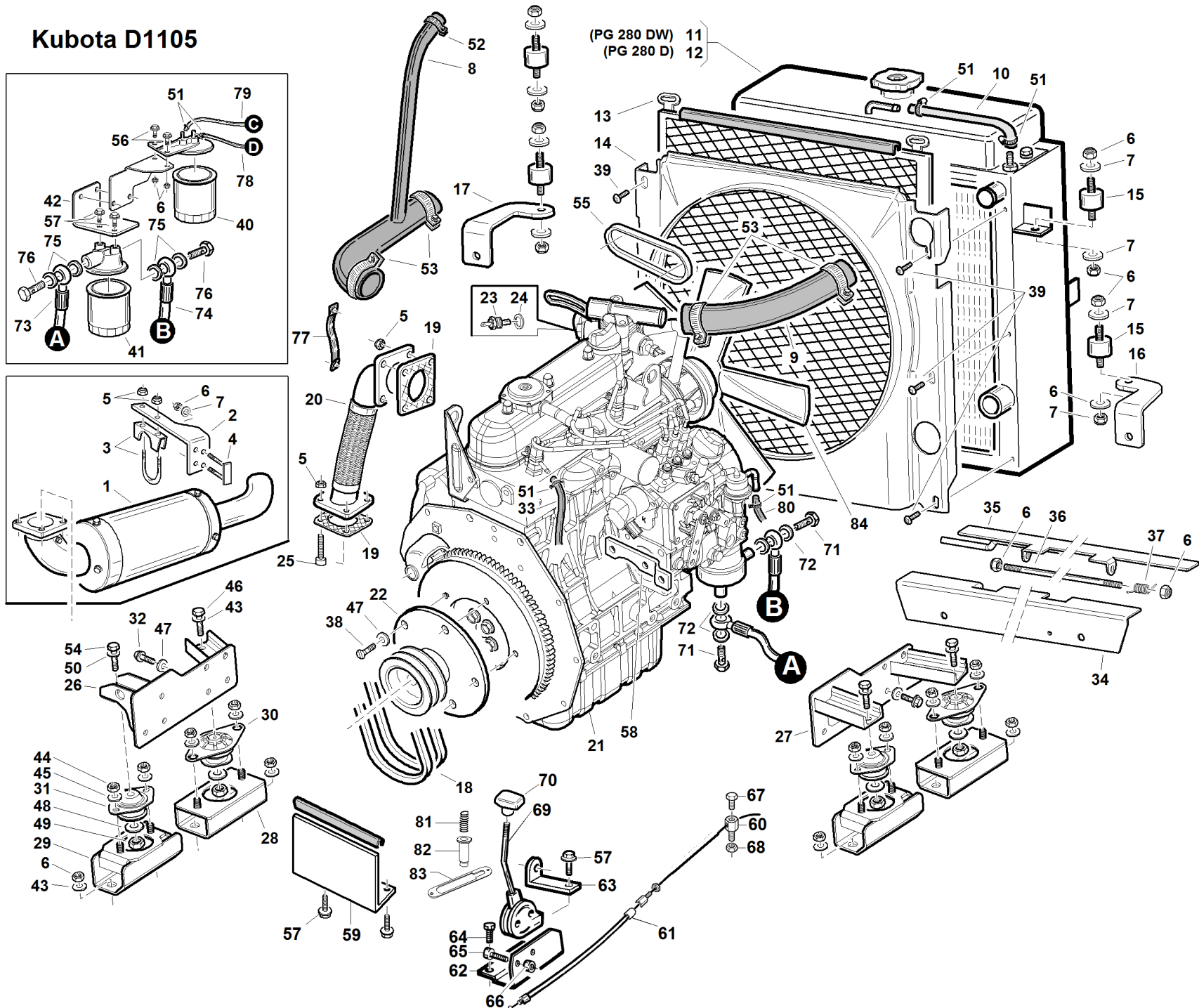
DESCRIPTION

PG/SR

61	95410180000		
62	95410000018		
63	PZ95514111301	PROTECTION CROWN SUPPORT	
64	00111000014	HEX SOCKET COUNTERSUNK HEAD SCREW M6X16	
65	00111000059	FAKE SCREW/WASH. M8X14	
66	00111000166	SELF LOCKING NUT M6 UNI 7473	
67	00111000184	SCREW TE M5X10	
68	00111000035	SELF BLOC. NUT M6	
69	91002230002	ACCELERATOR LEVER	
70	91002230003	GT ACCELERATOR KNOB	
77	00777800052	WEIGHT PLATE mm.210	
78	95410000025		
79	95410000026		
80	95410000027		
81	89001000042	SPRING De=12.5 L=50 FILO=1.1	
82	91001000081		
83	91001000083		
84	00111970272	KUBOTA Ø360 FAN	

**PG/SR**

**Kubota D1105**



**S/N**

→ 1204001 ÷ 1207024 ←

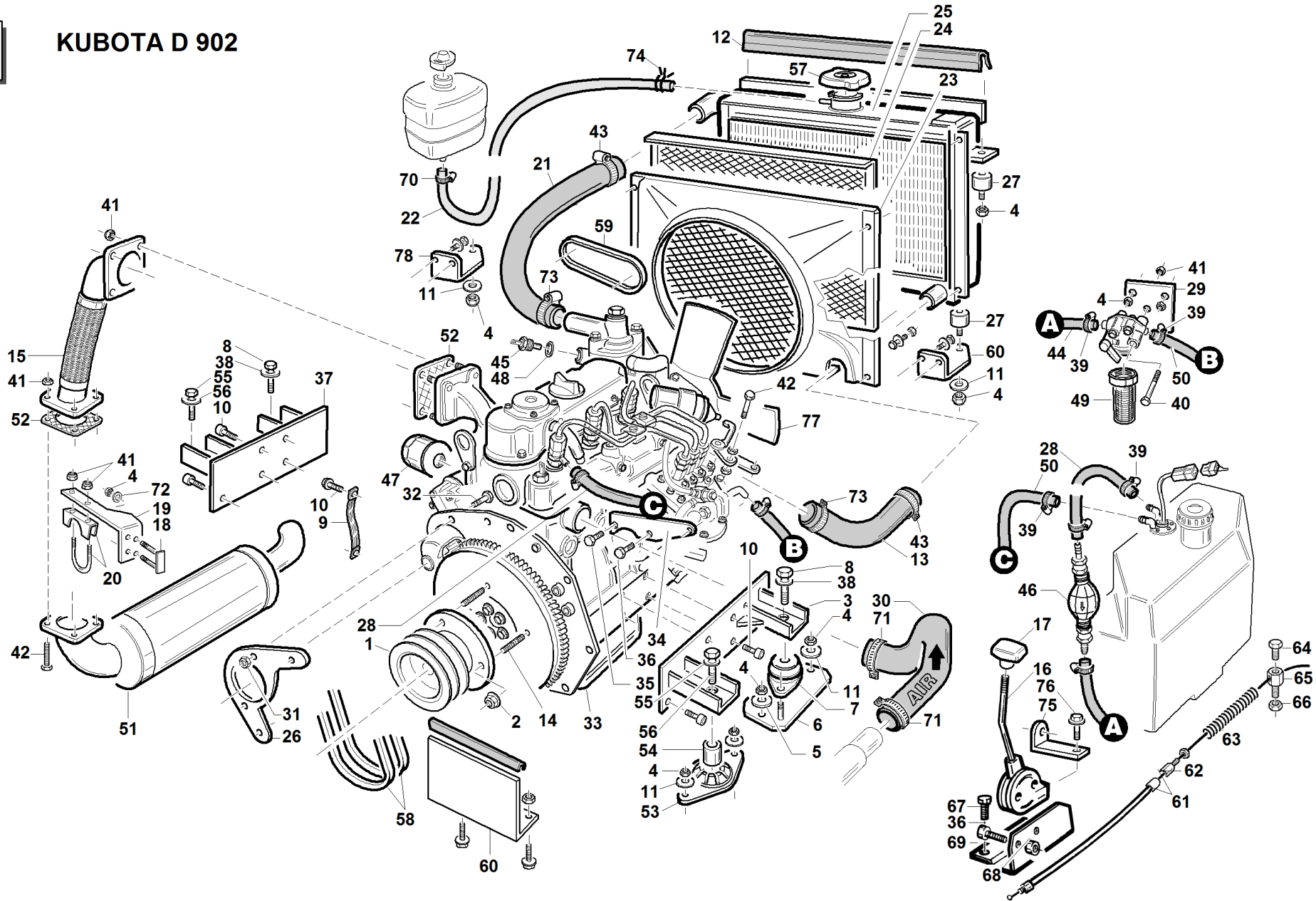
**REF. 12 - 00555501912**

#	P/N	DESCRIPTION	PG/SR	REF. 12 - 00555501912
1	95410000022			
2	95410000021			
3	00111810025	EXHAUST CLAMP D=42		
4	95124160000	MUFFLER FIXING PLATE		
5	00111250018	"NUT ""CONEKLOK"" M8"		
6	00111000071	SELF LOCKING NUT M8 UNI 7473		
7	00111000087	WASHER P.8,4X15.6X1,5		
8	95410000005			
9	95410000006			
10	95410000008			
11	95410000001			
12	95422000001			
13	95410150000			
14	95410000002			
15	00111970119	VIBRATION-DAMPING STOPPER M8 H=20		
16	95410000010			
17	95410000009			
18	95598530000	QUAD POWER III XPA932 BELTS KIT		
19	00111990086	KUBOTA MAINFOLD EXHAUST GASKET		
20	95410000012			
21	00777700036			
22	95410000015			
23	00777800123	WATER TEMPERATURE SENSOR		
24	00777600003	WASHER COPPER 3/8		
25	00111000094	SCREW TE M8X40		
26	95410120000			
27	95410130000			
28	95410110000			
29	95410100000			
30	00111970050	ENGINE VIBRATIONS-DUMPING BLOCK		
31	00111970221			
32	00111400031	HEX SOCKET HEAD CAP SCREW M10X20 UNI5932		
33	95410000028			
34	95410000013			
35	95410160000			
36	91001000027	BRAKE ROD		
37	95504000019	SPRING TROLLEY ATTACHM.		
38	00111300110			
39	00111450005	SCREW/W M6X16		
40	00777650075	KUBOTA D1105 FUEL FILTER		
41	00777650074	KUBOTA D1105 OIL FILTER		
42	95410000016			
43	00111000132	WASHER P. 8,4X32X2,5 ZNT		
44	00111000080	SELF LOCKING NUT M10 UNI 7474		
45	00111000015	WASHER D.10,5X21X2		
46	00111300052	SCREW TE UNI 5739		
47	00111550005	WASHER M10		
48	00111970232			
49	00111250002	SELF LOCKING NUT M12 UNI 7474		
50	00111000105	WASHER P.13X24X2,5 UNI 6592		
51	00111810010	CLAMP 10-16 TYPE NORMA		
52	00111810008	CLAMP 12-20 TYPE NORMA		
53	00111810042			
54	00111300010	SCREW TE M12X70		
55	00111980049	KUBOTA D1105 ALTERNATOR BELT		
56	00111450001	SCREW WASHER M8X25		
57	00111450003	SCREW WASHER M8X20		
58	91009000008			
59	95309110000	ENGINE BUMPER		

60	95124000014	LOCK ACCELERATOR CABLE		
61	95410180000			
62	95410000018			
63	PZ95514111301	PROTECTION CROWN SUPPORT		
64	00111000014	HEX SOCKET COUNTERSUNK HEAD SCREW M6X16		
65	00111000059	FAKE SCREW/WASH. M8X14		
66	00111000166	SELF LOCKING NUT M6 UNI 7473		
67	00111000184	SCREW TE M5X10		
68	00111000035	SELF BLOC. NUT M6		
69	91002230002	ACCELERATOR LEVER		
70	91002230003	GT ACCELERATOR KNOB		
71	00777600200			
72	00777600202			
73	95410000020			
74	95410000019			
75	00777600117	"COPPER WASHER 1/2""		
76	00777600199			
77	00777800052	WEIGHT PLATE mm.210		
78	95410000025			
79	95410000026			
80	95410000027			
81	89001000042	SPRING De=12.5 L=50 FILO=1.1		
82	91001000081			
83	91001000083			
84	00111970272	KUBOTA Ø360 FAN		

**PG/SR**

**KUBOTA D 902**

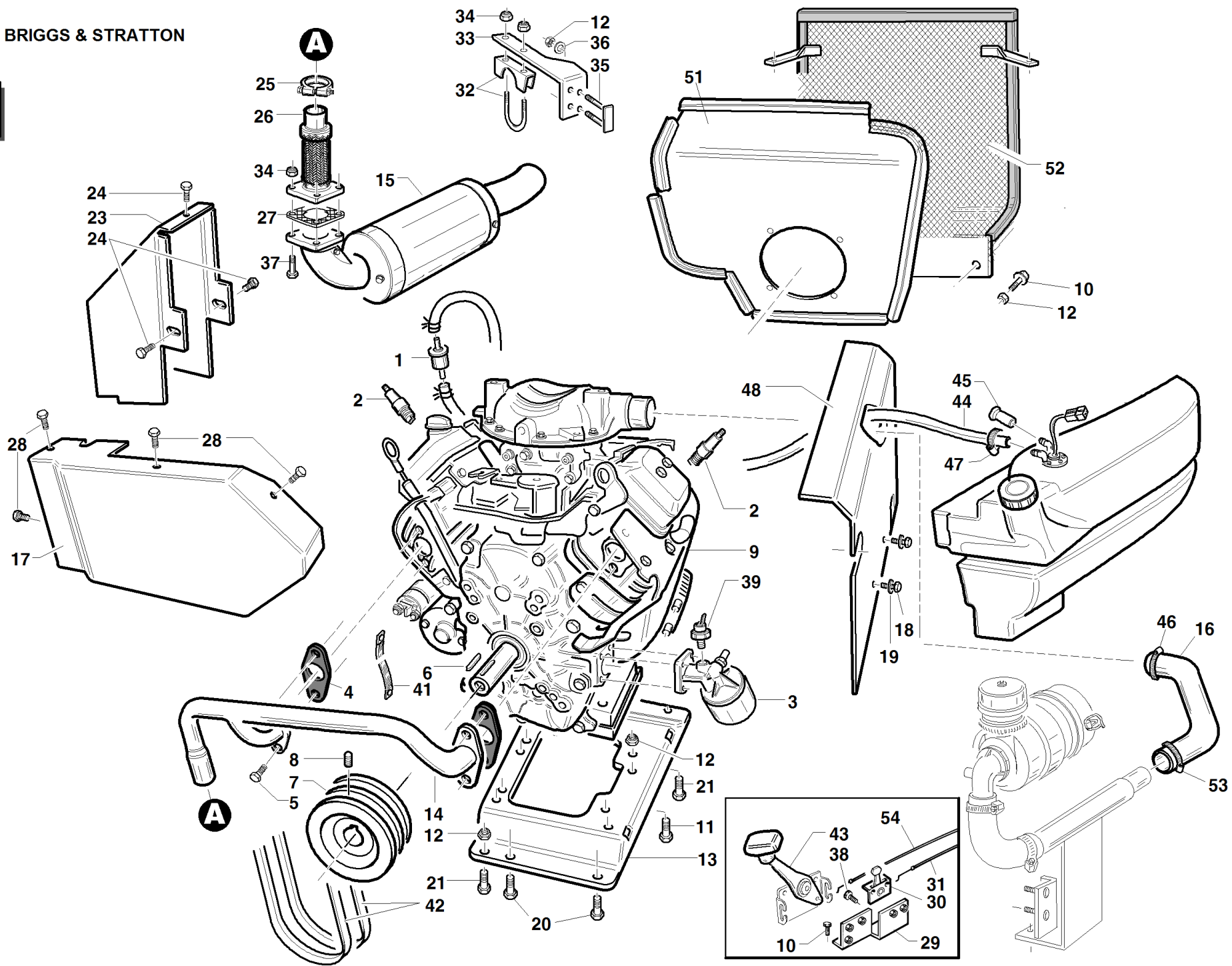




#	P/N	DESCRIPTION	PG/SR	REF. 13 - 0055501914
1	95338000001	KUBOTA ENGINE PULLEY		
2	00111250025	NUT METB 8MA		
3	95338100000	LEFT ENGINE SUPPORT		
4	00111000071	SELF BLO. NUT M8		
5	00111000132	WASHER P. 8,4X32X2,5 ZNT		
6	95124210000	SUPPORT PLATE		
7	00111970104	VIBRATION-DUMPING ENGINE		
8	00111300041	SCREW UNI 5739		
9	00777800052	WEIGHT PLATE mm.210		
10	00111400031	SCREW TCEI		
11	00111000061	WASHER 8.4X24X2		
12	95338000009			
13	95338000006	RADIATOR OUT HOSE		
14	00111320001	STUD BOLT M8X16		
15	95338000004	EXHAUST COLLECTOR		
16	91002230002	ACCELERATOR LEVER		
17	91002230003	GT ACCELERATOR KNOB		
18	95124160000	MUFFLER FIXING PLATE		
19	95410000021			
20	00111810025	EXHAUST CLAMP D=42		
21	95338000005	RADIATOR HOSE		
22	95124000017	WATER RECOVERY TANK PIPE		
23	95338000002	CONVEYOR		
24	95338200000	RADIATOR GRID		
25	95338000003	PG 210 RADIATOR		
26	95309000005	KUBOTA RENFORCEMENT PLATE		
27	00111970127	STOPPER M8 D30X20		
28	95338120003			
29	95124000018	DIESEL FILTER SUPPORT		
30	95309000006	AIR FILTER HOSE KUBOTA		
31	00111250014	SELF BL. NUT M8		
32	00111300060	SCREW		
33	00777700034	KUBOTA ENGINE D902 22 HP		
34	95124000009	ACCELERATOR CABLE BRACKET		
35	00111000034	SCREW TE M6X10		
36	00111000059	FAKE SCREW/WASH. M8X14		
37	95338110000	RIGHT ENGINE SUPPORT		
38	00111550003	ELASTIC WASHER M12		
39	00111810010	CLAMP 10-16 TYPE NORMA		
40	00111300025	SCREW TE M6X50		
41	00111250018	NUT "CONEKLOK" M8		
42	00111000094	SCREW TE M8X40		
43	00111810033	CLAMP INOX 25-40		
44	95338120002			
45	00777800123	WATER TEMPERATURE SENSOR		
46	00777710007	MANUAL PUMP		
47	00777650046	KUBOTA ENGINE OIL FILTER		
48	00777600003	WASHER COPPER 3/8		
49	00777650047	KUBOTA FUEL FILTER		
50	95410000028			
51	95410000022			
52	00111990086	KUBOTA MAINFOLD EXHAUST GASKET		
53	00111970050	ENGINE VIBRATIONS-DUMPING BLOCK		
54	95124220001	SPACER D=25X8 L=27		
55	00111000031	SCREW TE M8X65		
56	00111000179	GROWER WASHER M8		
57	95049230001	RADIATORE CAP 1/BAR		
58	95598530000	QUAD POWER III XPA932 BELTS KIT		
59	00111980028	BELT KUBOTA		

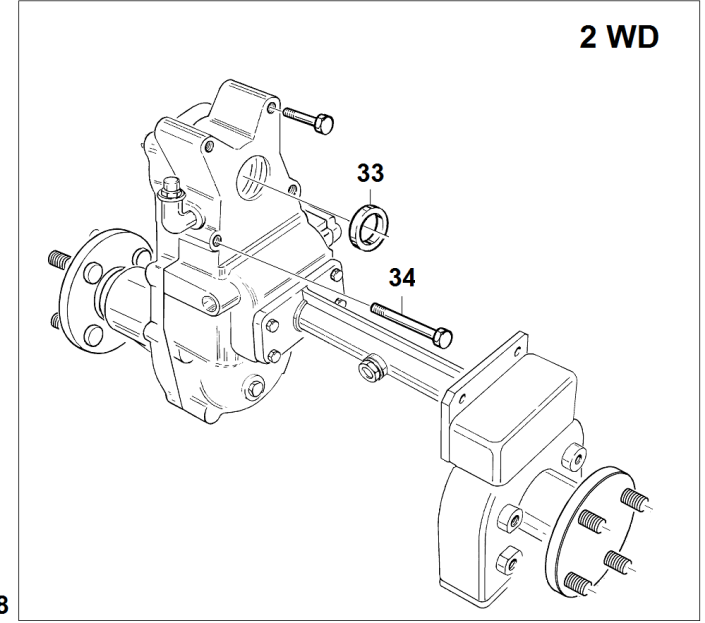
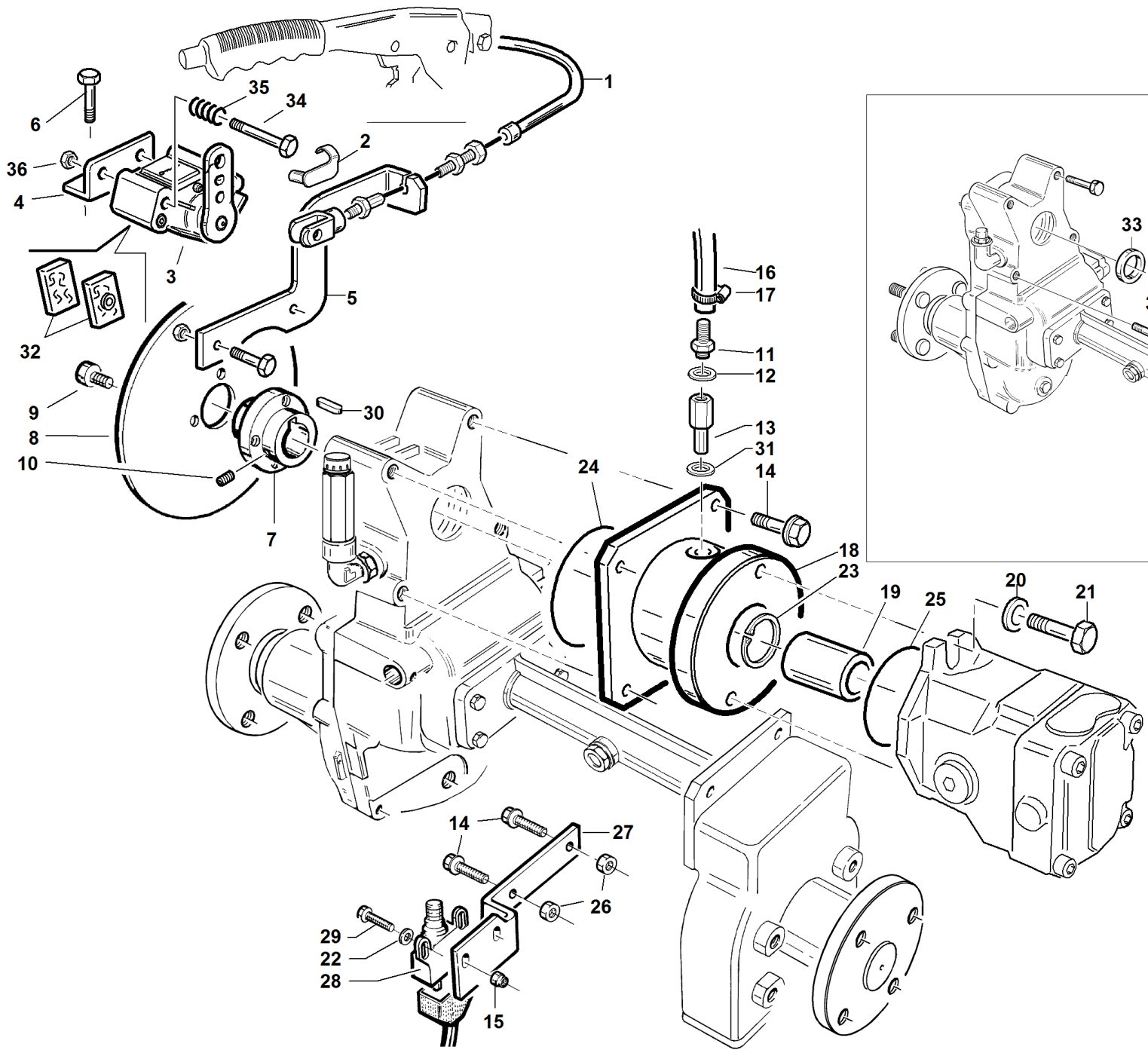
#	P/N	DESCRIPTION	PG/SR
60	95309110000	ENGINE BUMPER	
61	95124190001	KUBOTA ACCELERATOR CABLE	
62	95124000015	ACCELERATOR CABLE REGISTER	
63	95124000016	ACCELERATOR RECOVERY SPRING	
64	00111000184	SCREW TE M5X10	
65	95124000014	LOCK ACCELERATOR CABLE	
66	00111000035	SELF BLOC. NUT M6	
67	00111000014	SCREW TSPEI M6X16	
68	00111000166	SELF BL. SCREW M6	
69	95410000018		
70	00111300064	SCREW M8X25	
71	00111810034	CLAMP INOX 32X50	
72	00111000037	WASHER 6.6X18X2	
73	00111810013	CLAMP 20-32 TYPE NORMA	
74	00111810015	CLAMP	
75	PZ95514111301	PROTECTION CROWN SUPPORT	
76	00111450003	SCREW WASHER M8X20	
77	00111970219		
78	95303000022	RADIATOR DX SUPPORT	

PG/SR



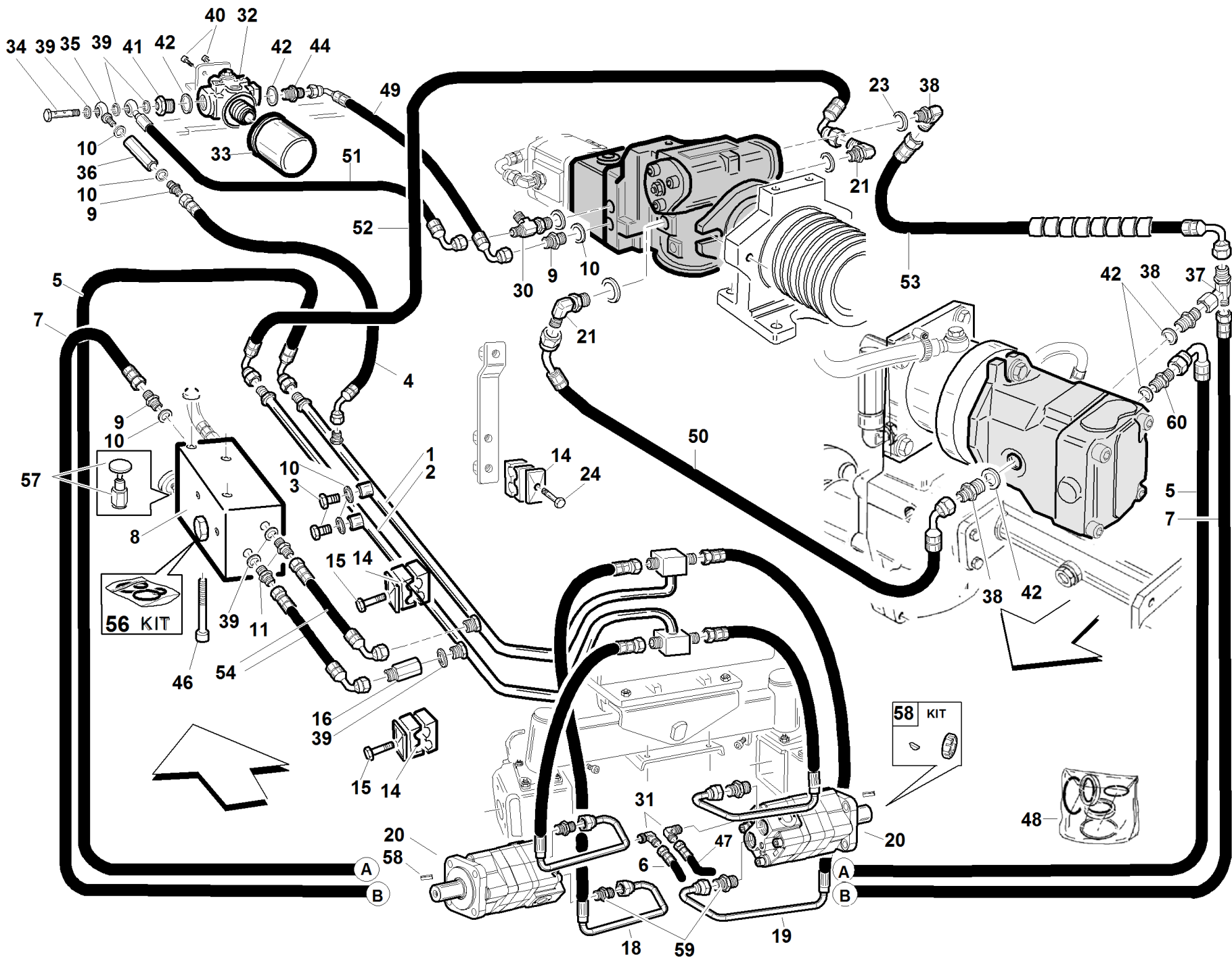
#	P/N	DESCRIPTION	PG/SR	REF. 14 - 00555501915
1	00777650013	PETROL FILTER 16-18 HP		
2	00777750001	SPARK PLUG 491055		
3	00777650001	OIL FILTER 9/18 HP		
4	00111990148	B&S 21-23HP EXHAUST GASKET		
5	00111000093	SCREW TE M8X20		
6	00111990008	PIN KEY 1/4X1/4X38		
7	95332000001	ENGINE PULLEY		
8	00111960002	GRUB M8X16		
9	00777700031	22 HP B&S HORIZONTAL ENGINE		
10	00111450003	SCREW WASHER M8X20		
11	00111300020	SCREW TE M8X70		
12	00111000071	SELF BLO. NUT M8		
13	95332000003	PG ENGINE SUPPORT		
14	95332000005	B&S EXHAUST COLLECTOR		
15	95410000022			
16	95103000007	KOHLER AIR FILTER		
17	95180110000	DISCHARGE AIR CONVEYOR		
18	00111300015	SCREW TE M8X55		
19	00111000087	WASHER P.8,4X15.6X1,5		
20	00111300052	SCREW TE UNI 5739		
21	00111300064	SCREW M8X25		
23	95210110000	EXHAUST AIR PIPE		
24	00111450005	SCREW/W M6X16		
25	00111810028	COLLECTOR EXHAUST CLAMP D33		
26	95104170000	FLEXIBLE COLLECTOR		
27	00111990086	KUBOTA MAINFOLD EXHAUST GASKET		
28	00111450010	SCREW/W M6X10		
29	PZ95070110000	ACCELERATOR SUPPORT		
30	00111000192	ACCELERATOR LEVER		
31	95179000001	KOHLER ACCELERATOR CABLE		
32	00111810025	EXHAUST CLAMP D=42		
33	95410000021			
34	00111250018	NUT "CONEKLOK" M8		
35	95124160000	MUFFLER FIXING PLATE		
36	00111000037	WASHER 6.6X18X2		
37	00111000094	SCREW TE M8X40		
38	00111000184	SCREW TE M5X10		
39	00777700021	18 HP PRESSURE SWITCH		
41	00777800165	TG TECH EARTH CABLE		
42	95598530000	QUAD POWER III XPA932 BELTS KIT		
43	95599410000	KIT THROTTLE LEVER		
44	95417000003			
45	95210000011	FUEL RETURN CAP		
46	00111810012	CLAMP 40-60 TYPE NORMA		
47	00111810010	CLAMP 10-16 TYPE NORMA		
48	95417120000			
51	95417000002			
52	95417130000			
53	00111400039	ALLEN SCREW M8X40		
53	00111810034	CLAMP INOX 32X50		
54	95180000001	B & S STARTER CABLE		

**PG/SR**



#	P/N	DESCRIPTION	PG/SR
1	95301000043	PARKING BRAKE CABLE	
2	95599000126		
3	95301000044	NIFO 1D BRAKE CALIPER	
4	95301380000	BRAKE CALIPER SUPPORT BRACKET	
5	95301000041	SUPPORT BRACKET FOR BRAKE CABLE	
6	00111450003	SCREW WASHER M8X20	
7	95042200004	BRAKE DISC HUB	
8	95303220001	BRAKE DISC	
9	00111000184	SCREW TE M5X10	
10	00111960003	GRUB M6X10	
11	00777600188		
12	00777600181	ALLUMINIUM WASHER 1/4	
13	00777306702	VALVE LITTLE COLUMN M 1/8 - F 1/4	
14	00111450001	SCREW WASHER M8X25	
15	00111250006	SELF BL. NUT M4	
16	00111810010	CLAMP 10-16 TYPE NORMA	
17	95303000065	BREATHER HOSE	
18	95303000002	ENGINE SUPPORT	
19	95303000005	ENGINE BUSHING	
20	00111550005	WASHER M10	
21	00111000103	SCREW TE M10X30	
22	00111500010	WASHER 4.3X9X0.8	
23	00111650027	SNAP RING D.19 I	
24	00777230021	OR RING D=2.62 - Di=82.22	
25	00777230020	OR RING D=5.34 - Di=56.52	
26	00111000071	SELF LOCKING NUT M8 UNI 7473	
27	95301000011	MICRO SWITCH SUPPORT PLATE	
28	00777800023	PUSH BUTTON 15117000	
29	00111300019	SCREW TE M4X20	
30	00111900012	TONGUE A 5X5X16	
31	00777600045	WASHER COPPER 1/8	
32	95597160000	DOUBLE BRAKE PADS	
33	95042200003	CENTERING RING	
34	00111300034	SCREW TE M8X115	
35	95301000045		
36	00111000082	NUT M8	

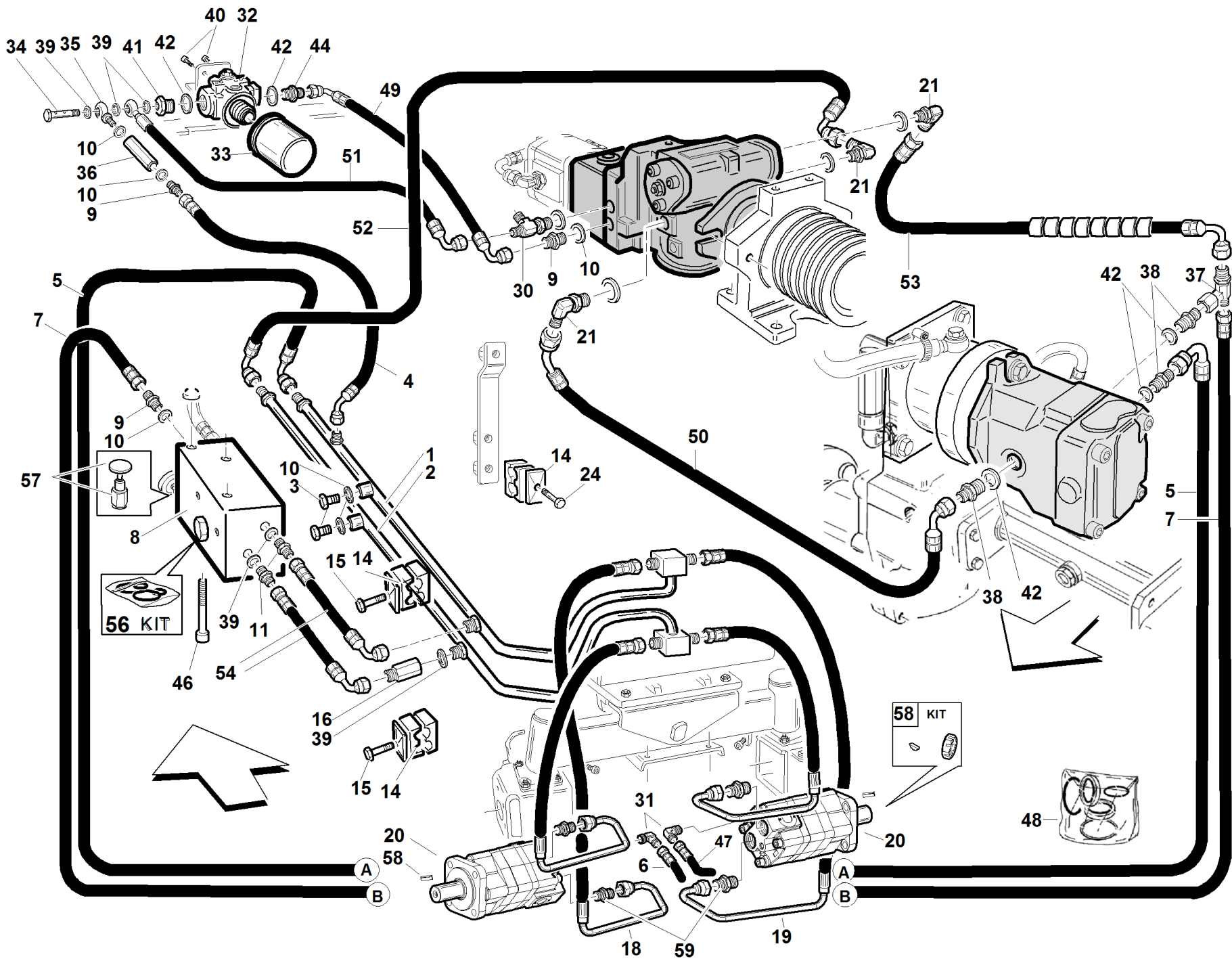
**PG/SR**



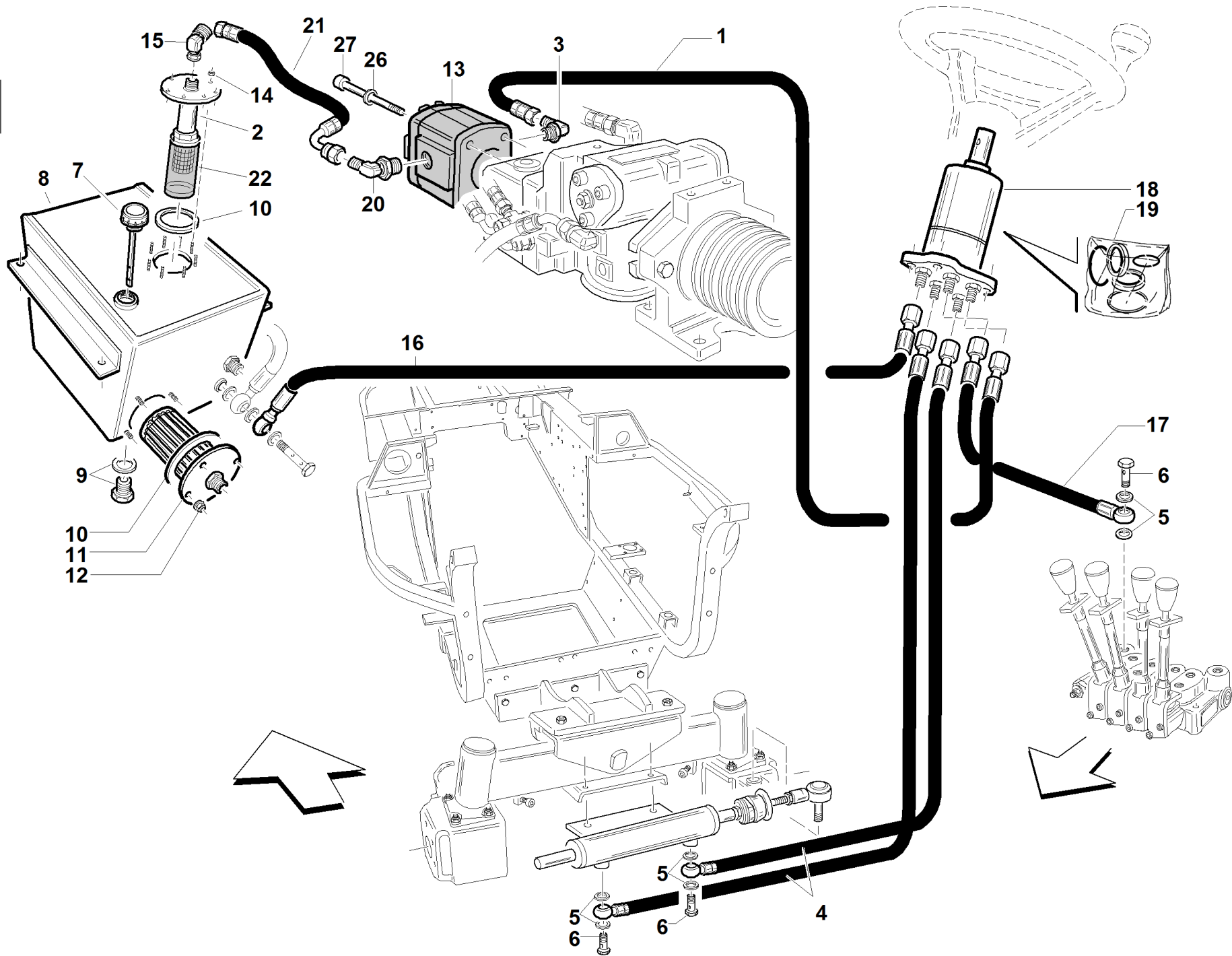
#	P/N	DESCRIPTION	PG/SR
1	95409100002		
2	95409100003		
3	00777600050	PLUG 1/4	
4	95303000035	HOSE	
5	95409100012	HYDRAULIC PIPE 3/4 F90° 3/4 - F90° 1/2	
6	95409100010	PIPE	
7	95303000032	HOSE	
8	95303000026	VALVE BLOCK	
9	00777600043	NIPPLE 1/4 X 1/4	
10	00777600001	WASHER COPPER 1/4	
11	00777600015	NIPPLE 3/8	
14	00111990109	PLASTIC COLLAR	
15	00111300015	SCREW TE M8X55	
16	00777600140	LITTLE COLUMN 3/8	
18	95409100014	HYDRAULIC PIPE FOR LH WHEEL MOTOR	
19	95409100013	HYDRAULIC PIPE FOR RH WHEEL MOTOR	
20	95409000001	REAR WHEEL MOTOR HRS200	
21	00777600124	ADAPTER 90° M/M 1/2 ADJUSTABLE	
23	00777600128	WASHER 1/2	
24	00111300027	HEX SOCKET HEAD CAP SCREW M8X60 UNI 5737	
30	00777600152	ASSEMBLED UNION ELBOW 1/4-3/8-3/8	
31	00777600204	ADAPTER ADJUSTABLE 90° 1/4BSP-7/16 UNF	
32	95303000021	FILTER TOP	
33	00777650060	FILTER FOR HIGH PRESSURE	
34	00777600133	DOUBLE CABLE BOLT	
35	00777600141	METAL EYELET 3/8	
36	00777600123	NO RETURN VALVE	
37	00777600137	ADAPTER 1/2 ROTATING	
38	00777600130	NIPPLE 3/4-1/2	
39	00777600003	WASHER COPPER 3/8	
40	00111000067	ALLEN SCREW M10X20	
41	00777600132	REDUCING PLUG M3/4	
42	00777600131	WASHER 3/4	
44	00777600135	NIPPLE 3/4-3/8	
46	00111400043	SCREW TCEI M8X85 8.8	
47	95409100009	PIPE	
48	95598830000	HRS WHEEL MOTOR OIL SEALS KIT	
49	95303000070	HOSE 3/8 1SN F90°3/8-F90°1/4 L=400 180°	
50	95303000071	HOSE 5/8 1SN F90°1/2-F45°1/2 L=500 315°	
51	95303000069	HOSE 3/8 1SN OC3/8-F90°3/8 L=350 0°	
52	95302110001	HYDRAULIC PIPE 3/4 F90° 1/2 - F90° 1/2	
53	95409100011	HYDRAULIC PIPE 3/4 F90° 1/2 - F90° 3/4	
54	95303000029	HOSE	
56	95598590000	VALVE HTC 4WD GASKET KIT	
57	95599000092	VALVE MCD 28/2202-PBFB	
58	95598840000		
59	00777600203	"CONNECTOR 1/2 BSP 1""1/16 UNF"	
60	00777600129	NIPPLE 3/4-3/4	



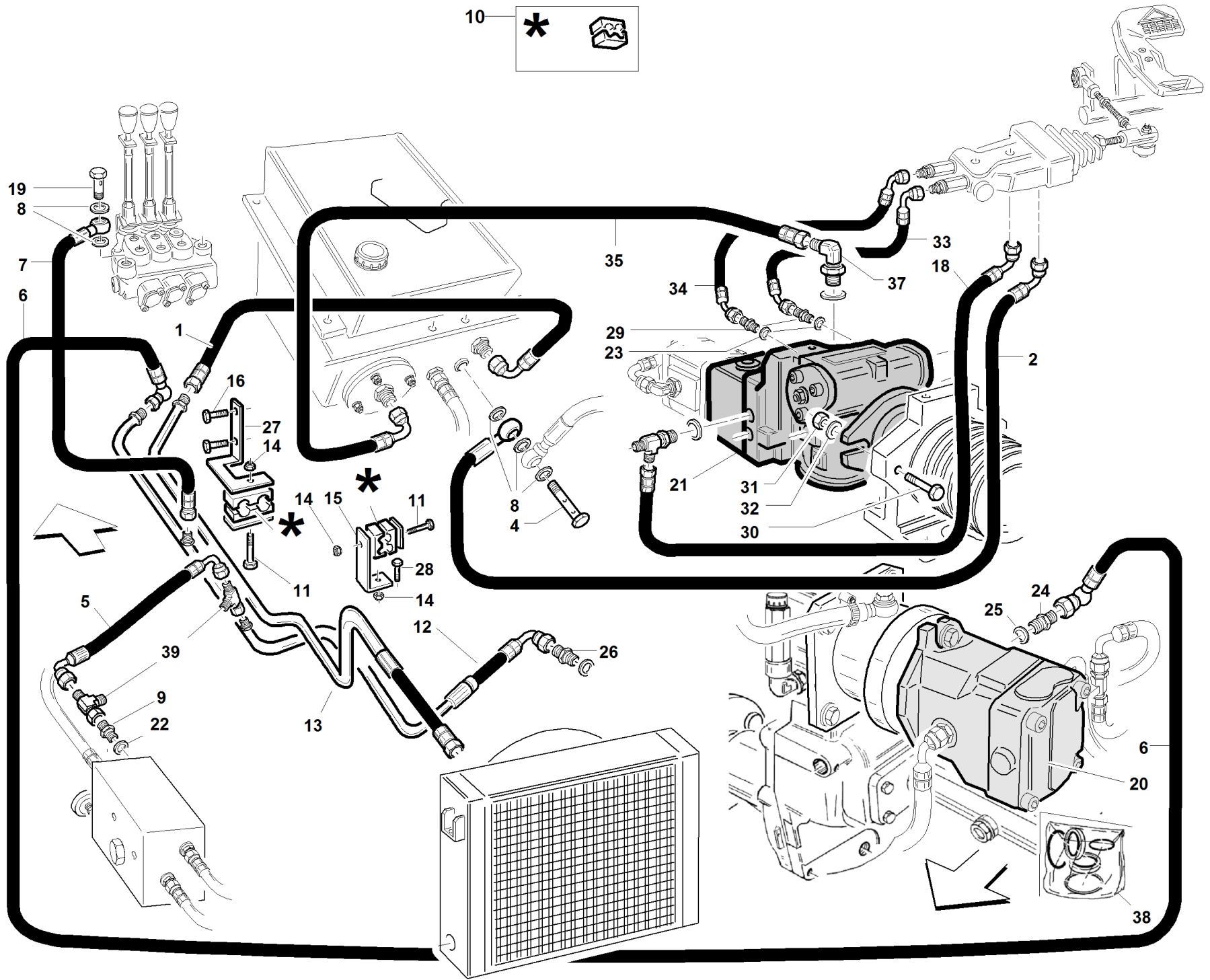
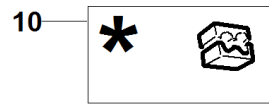
**PG/SR**



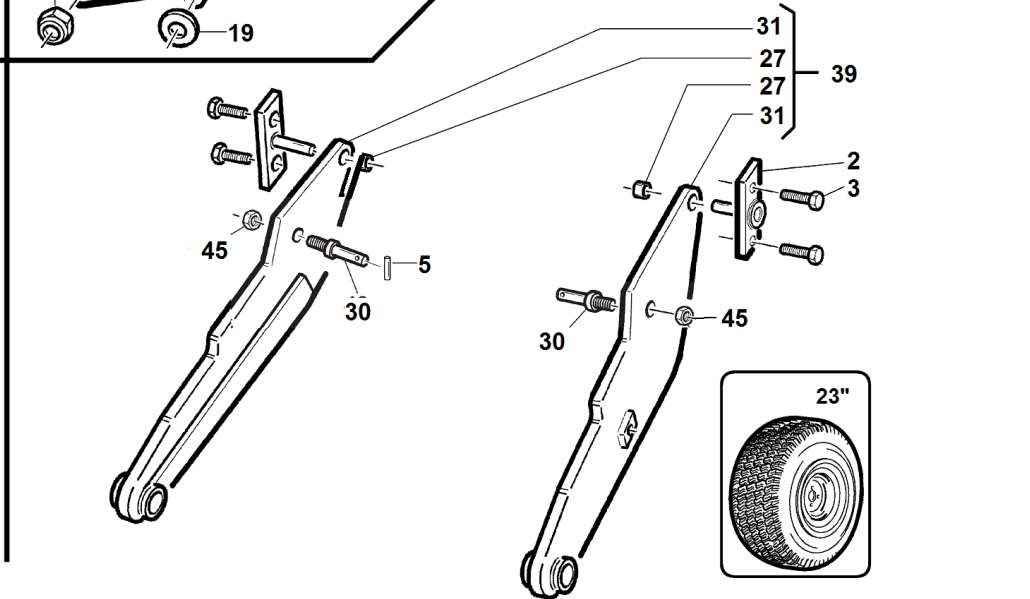
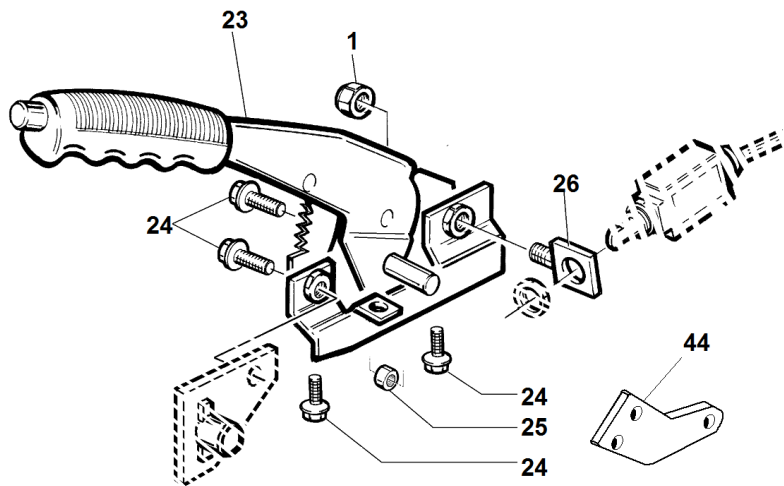
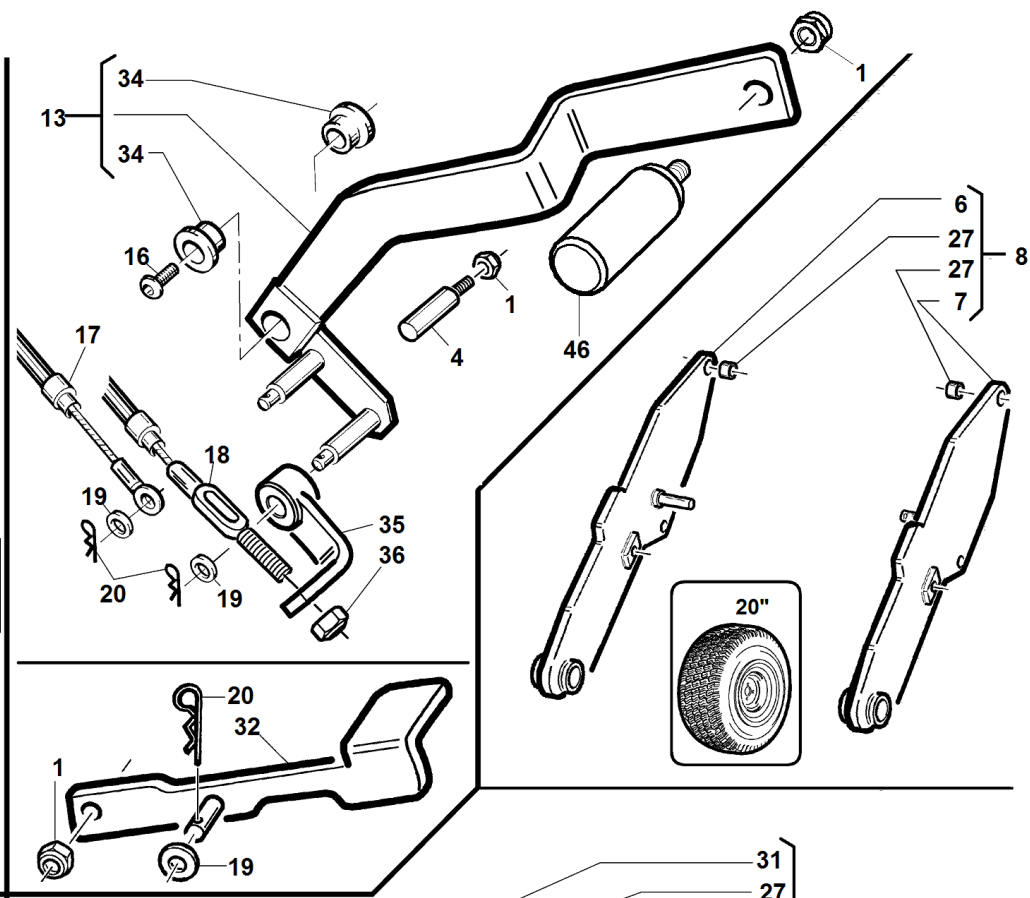
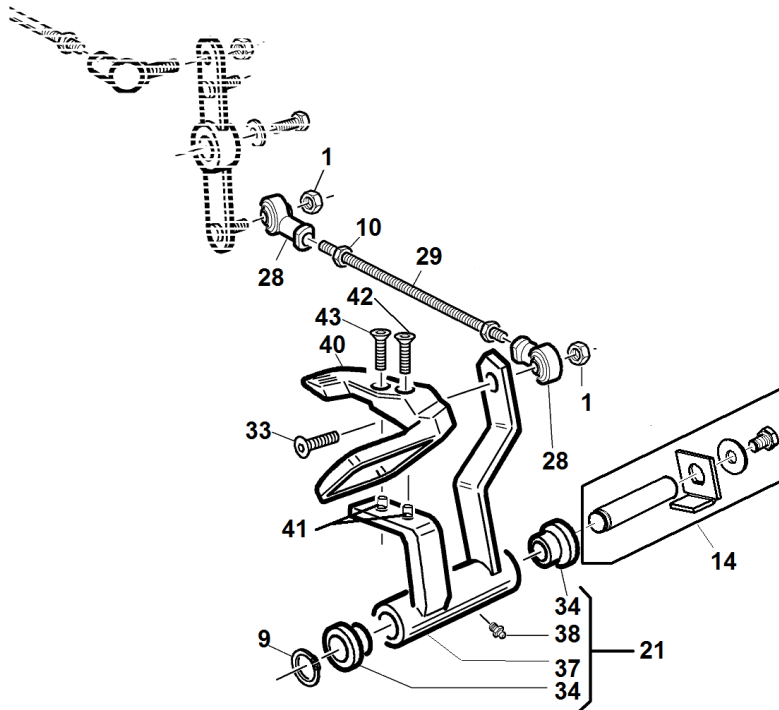
#	P/N	DESCRIPTION	PG/SR	REF. 16 - 00555501917
1	95409100002			
2	95409100003			
3	00777600050	PLUG 1/4		
4	95303000035	HOSE		
5	95303000046	HOSE		
6	95409100010	PIPE		
7	95303000032	HOSE		
8	95303000026	VALVE BLOCK		
9	00777600043	NIPPLE 1/4 X 1/4		
10	00777600001	WASHER COPPER 1/4		
11	00777600015	NIPPLE 3/8		
14	00111990109	PLASTIC COLLAR		
15	00111300015	SCREW TE M8X55		
16	00777600140	LITTLE COLUMN 3/8		
18	95409100007	LEFT ORBITAL PIPE		
19	95409100006	ORBITAL TUBE		
20	95409000001	REAR WHEEL MOTOR HRS200		
21	00777600124	ADAPTER 90° M/M 1/2 ADJUSTABLE		
23	00777600128	WASHER 1/2		
24	00111300027	HEX SOCKET HEAD CAP SCREW M8X60 UNI 5737		
30	00777600152	ASSEMBLED UNION ELBOW 1/4-3/8-3/8		
31	00777600204	ADAPTER ADJUSTABLE 90° 1/4BSP-7/16 UNF		
32	95303000021	FILTER TOP		
33	00777650060	FILTER FOR HIGH PRESSURE		
34	00777600133	DOUBLE CABLE BOLT		
35	00777600141	METAL EYELET 3/8		
36	00777600123	NO RETURN VALVE		
37	00777600137	ADAPTER 1/2 ROTATING		
38	00777600130	NIPPLE 3/4-1/2		
39	00777600003	WASHER COPPER 3/8		
40	00111000067	ALLEN SCREW M10X20		
41	00777600132	REDUCING PLUG M3/4		
42	00777600131	WASHER 3/4		
44	00777600135	NIPPLE 3/4-3/8		
46	00111400043	SCREW TCEI M8X85 8.8		
47	95409100009	PIPE		
48	95598830000	HRS WHEEL MOTOR OIL SEALS KIT		
49	95303000070	HOSE 3/8 1SN F90°3/8-F90°1/4 L=400 180°		
50	95303000071	HOSE 5/8 1SN F90°1/2-F45°1/2 L=500 315°		
51	95303000069	HOSE 3/8 1SN OC3/8-F90°3/8 L=350 0°		
52	95303000073	HOSE 5/8 2SN F90°1/2-F90°1/2 L=570 270°		
53	95303000066	HOSE 5/8 2SN F90°1/2-F1/2 L=560		
54	95303000029	HOSE		
56	95598590000	VALVE HTC 4WD GASKET KIT		
57	95599000092	VALVE MCD 28/2202-PBFB		
58	95598840000			
59	00777600203	"CONNECTOR 1/2 BSP 1""1/16 UNF"		



#	P/N	DESCRIPTION	PG/SR
1	95301000025	HOSE	
2	95409120000		
3	00777600115	MALE ELBOW 90° 3/8	
4	95301000022	HOSE	
5	00777600001	WASHER COPPER 1/4	
6	00777600040	SIMPLE CABLE BOLT	
7	00777600120	IN PRESSURE PLUG	
8	95409110000		
9	00777600119	OIL DISCHARGING PLUG	
10	95303000012	FILTER WASHER	
11	95303100000	FILTER WITH FLANGE	
12	00111250021	8MA METB NUT	
13	95303000016	OIL PUMP	
14	001111000071	SELF BLO. NUT M8	
15	00777600124	ADAPTER 90° M/M 1/2 ADJUSTABLE	
16	95301000024	HOSE	
17	95301000023	HOSE	
18	95303000027	HYDRAULIC STEERING SERVOCONTROL	
19	95599620000	GASKET KIT	
20	00777600191		
21	95409100001		
22	92001000008	250 MICRON PLUNGED FILTER	
26	00111000087	WASHER P.8,4X15.6X1,5	
27	00111300020	SCREW TE M8X70	

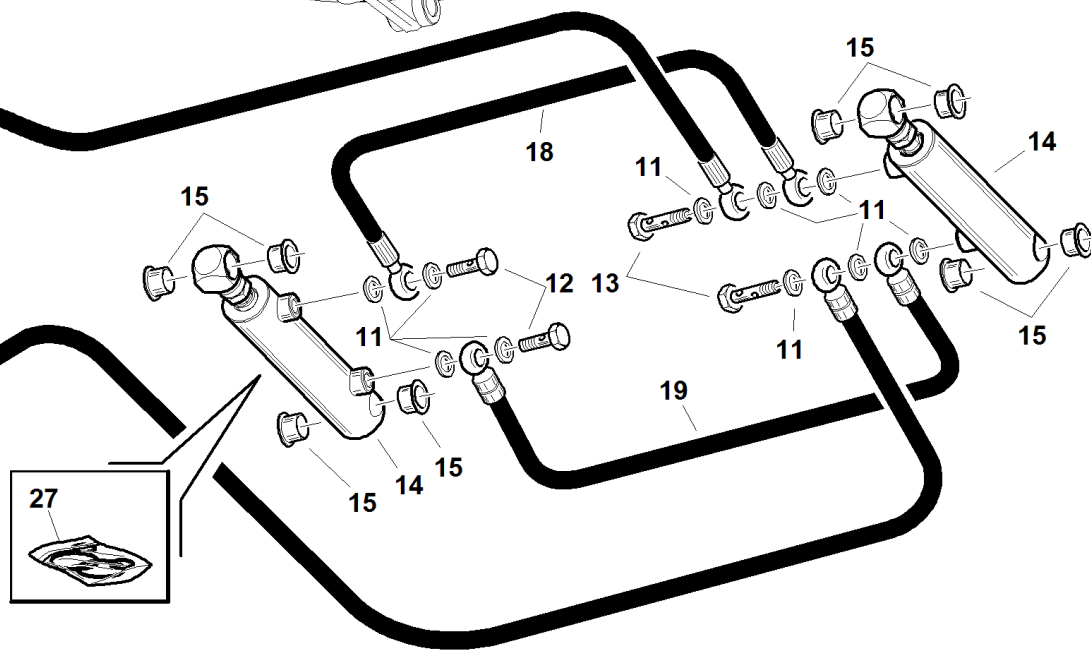
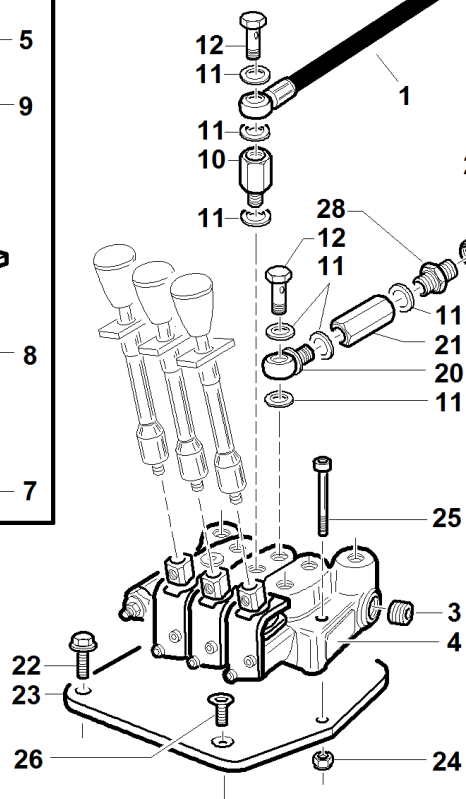
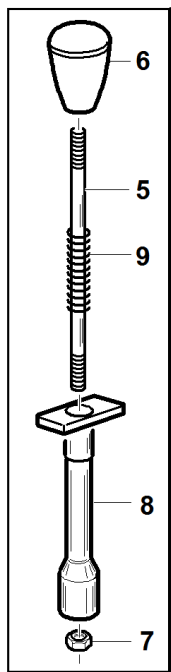
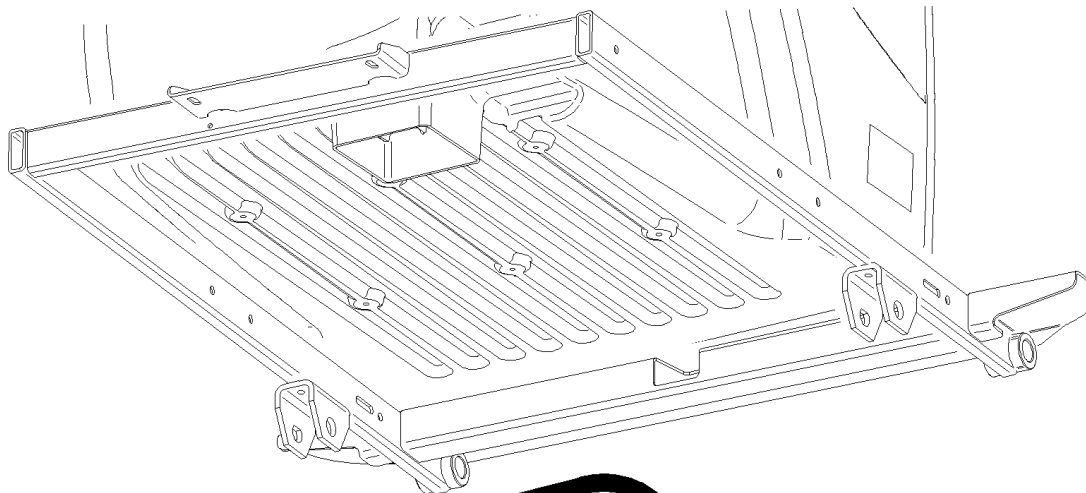


#	P/N	DESCRIPTION	PG/SR
1	95303000077	TUBE 3/4	
2	95303000039	HOSE	
4	00777600133	DOUBLE CABLE BOLT	
5	95409100008	PIPE	
6	95303000042	HOSE	
7	95303000055	HOSE	
8	00777600003	WASHER COPPER 3/8	
9	00777600043	NIPPLE 1/4 X 1/4	
10	00111990110	PLASTIC COLLAR Ø22	
11	00111300027	SCREW TE M8X60 ZNT	
12	95409100004		
13	95409100005		
14	00111000071	SELF BLO. NUT M8	
15	95303000028	COLLAR SUPPORT	
16	00111000103	SCREW TE M10X30	
18	95303000038	HOSE	
19	00777600041	EMPTY SCREW 3/8	
20	95409000002		
21	95409000003	P2 23cc PUMP	
22	00777600001	WASHER COPPER 1/4	
23	00777600045	WASHER COPPER 1/8	
24	00777600129	NIPPLE 3/4-3/4	
25	00777600131	WASHER 3/4	
26	00777600129	NIPPLE 3/4-3/4	
27	95303000054	COLLAR SUPPORT	
28	00111450015	SCREW M8x30	
29	00777600127	NIPPLE 1/8-1/4	
30	00111300076	SCREW	
31	00111250002	SELF BL. NUT M12	
32	00111500026	WASHER 13X28X5	
33	95303000068	HOSE 1/4 1SC F90°1/4-F45°1/8 L=1130 270°	
34	95303000067	HOSE 1/4 1SC F90°1/4-F45°1/8 L=1050 180	
35	95303000072	HOSE 3/4 1SN F90°3/4-F1/2 L=610	
37	00777600124	ADAPTER 90° M/M 1/2 ADJUSTABLE	
38	95598570000	KIT	
39	00777600198	ADAPTER M3/8	



#	P/N	DESCRIPTION	PG-SR
1	00111000071	SELF LOCKING NUT M8 UNI 7473	
2	95301150000	LIFTING ARMS SUPPORT	
3	00111000103	SCREW TE M10X30	
4	95400000001		
5	00111700006	PIN EL D.6X28	
6	95311150000	RIGHT LIFT ARM COMPLETE	
7	95311140000	LEFT LIFT ARM COMPLETE	
8	95599660000	PG LIFT ARMS KIT	
9	00111650004	SNAP RING D.15 E	
10	00111000082	NUT M8	
13	95301280000	LEVER PTO TURBINE COMP.	
14	95597270000	PEDAL PIN KIT	
16	00111450004	SCREW WASHER M8X12	
17	95301000020	BLADE BRAKE CABLE	
18	95042210004	ADJUSTABLE TURBINE AND PTO CABLE	
19	00111500009	WASHER 6.4X12.5X1.6	
20	00111000114	"PIN ""R"" D.1,2"	
21	95301320000	PEDAL SUPPORT	
23	00111990015	HAND BRAKE LEVER	
24	00111450003	SCREW WASHER M8X20	
25	95001000027	BORE WASHER Ø8.25X14 L=8	
26	PZ95042190000	MICRO SUPPORT	
27	00111530005	BUSHING FRIMET 18 20 10	
28	00777200007	ARTICULATION HEAD CF8 M8	
29	95311180001	PEDAL TIE ROD	
30	95301000032	CYLINDER SUPPORT PIN	
31	95319100000		
32	PZ95001390000	DIFFERENTIAL LOCK PEDAL	
33	00111350022	SCREW TSPEI M8X30 ZNT	
34	95001000060	BRASS BUSHING	
35	PZ95042216000	TURBINE CABLE REGISTER	
36	00111000095	SELF BLO. NUT M8	
37	95301140000	ADVANCING PEDAL SUPPORT	
38	00111000036	GREASER M6	
39	95599590000	PG-W LIFT ARMS KIT	
40	95533000003	ACCELERATOR PEDAL	
41	94500000051	SPACER 10.25X16X10.5	
42	00111000111	SCREW TSPEI M8X40	
43	00111350038		
44	95301000042		
45	00111150005	NUT M16X1.5	
46	95500000071	PTO LONG KNOB	





#	P/N	DESCRIPTION	PG/SR
1	00777600086	HOSE R1 L=1850	
2	00777600088	HOSE R1 L=1730	
3	00777600050	PLUG 1/4	
4	00777600205		
5	00777601100	DISTRIBUTOR LONG LEVER	
6	00111970135	HANDGRIP D.25 M8	
7	95062000004	M8 Ch12 NUT	
8	95162000009	DISTRIBUTOR SAFETY LEVEL	
9	00777600113	DISTRIBUTOR SAFETY LEVEL SPRING	
10	00777600037	EXTENSION M/F 1/4 L=35	
11	00777600001	WASHER COPPER 1/4	
12	00777600040	SIMPLE CABLE BOLT	
13	00777600039	DOUBLE CABLE BOLT	
14	95301371001		
15	00111990017	BUSHING WITH EDGE TFF 20/16,5	
16	91007000002	THREADED BUSH M16X1.5	
17	00111150005	NUT M16X1.5	
18	95400000003		
19	95400000002		
20	00777600108	"THREATED EYES 1/4 X 1/4"	
21	00777600138	EXTENSION 1/4 L=35	
22	00111450001	SCREW WASHER M8X25	
23	PZ95060000004	DISTRIBUTOR SUPPORT	
24	00111000166	SELF BL. SCREW M6	
25	00111400011	ALLEN SCREW M6X50	
26	00111000186	SCREW TSPEI M8X20	
27	95598890000		
28	00777600122	NIPPLE 1/4 X 1/4 - 0,9 ORIFICE	
29	00777600207		



**PG/SR**

**S/N**

**→ 1204001 ÷ 1207024 ←**

**REF. 21**

**#**

**P/N**

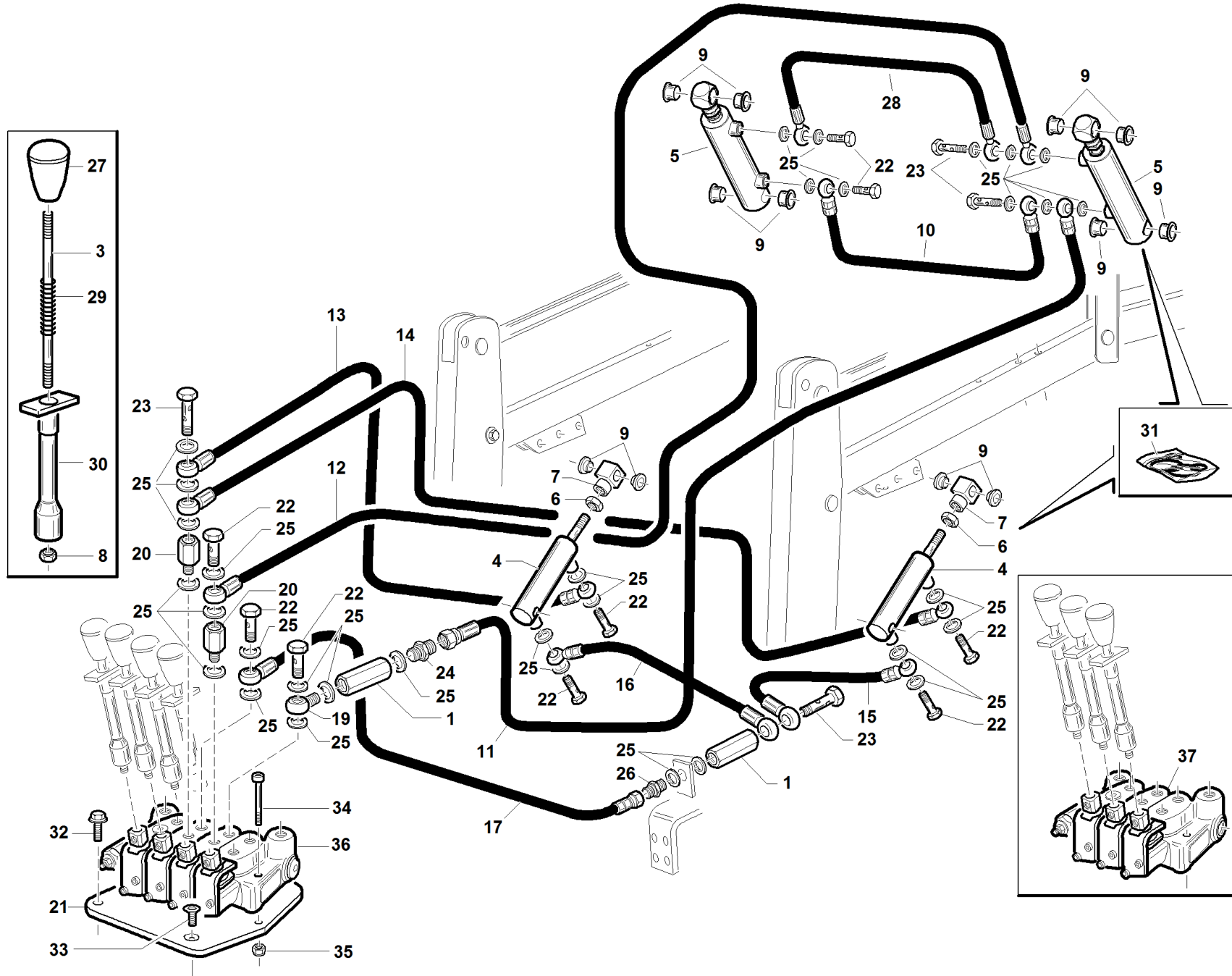
**DESCRIPTION**

**PG/SR**

**REF. 21**

#	P/N	DESCRIPTION	PG/SR	REF. 21

**PG/SR**

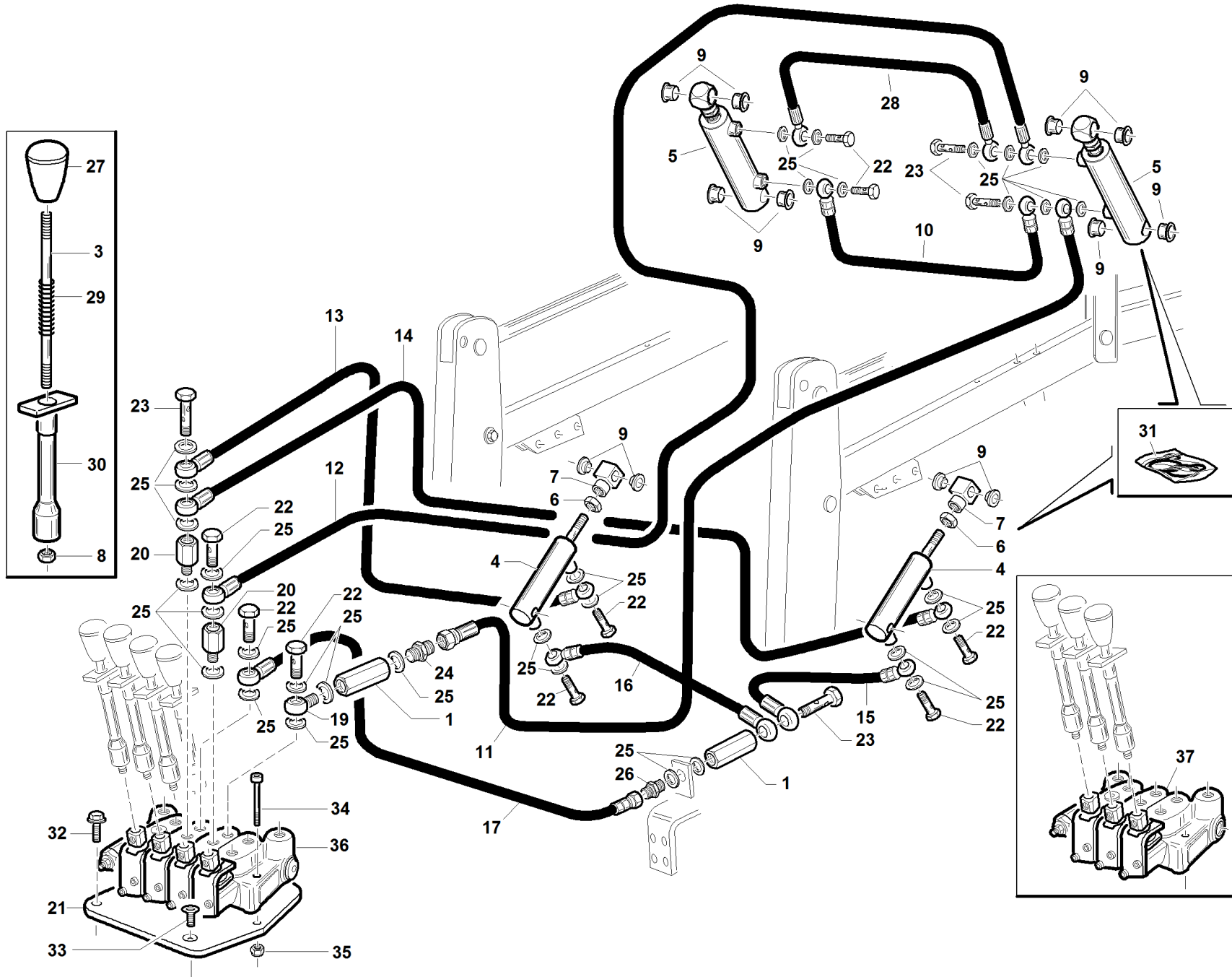


**S/N**  
→1207045

**REF.21 - 00555501931**

#	P/N	DESCRIPTION	PG/SR
1	00777600138	EXTENSION 1/4 L=35	
3	00777601100	DISTRIBUTOR LONG LEVER	
4	94013150000	CYLINDER	
5	95411121001		
6	00111150005	NUT M16X1.5	
7	91007000002	THREADED BUSH M16X1.5	
8	95062000004	M8 Ch12 NUT	
9	001111990017	BUSHING WITH EDGE TFF 20/16,5	
10	95400000003		
11	95411000005		
12	95411000006		
13	00777600086	HOSE R1 L=1850	
14	00777600087	HOSE R1 L=1350	
15	95128000002	HOSE R1 1/4 L=1250	
16	00777600088	HOSE R1 L=1730	
17	00777600092	HOSE R1 L=350	
19	00777600108	"THREATED EYES 1/4 X 1/4"	
20	00777600037	EXTENSION M/F 1/4 L=35	
21	95301000031	DISTRIBUTOR SUPPORT	
22	00777600040	SIMPLE CABLE BOLT	
23	00777600039	DOUBLE CABLE BOLT	
24	00777600122	NIPPLE 1/4 X 1/4 - 0,9 ORIFICE	
25	00777600001	WASHER COPPER 1/4	
26	00777600100	EXTENSION M/M 1/4 L=35	
27	001111970135	HANDGRIP D.25 M8	
28	91003110015	TUBE 1/4 1SC OC1/4-OC1/4 L=840 0°	
29	00777600113	DISTRIBUTOR SAFETY LEVEL SPRING	
30	95162000009	DISTRIBUTOR SAFETY LEVEL	
31	95598900000		
32	001111450001	SCREW WASHER M8X25	
33	001111000186	SCREW TSPEI M8X20	
34	001111400011	ALLEN SCREW M6X50	
35	001111000166	SELF BL. SCREW M6	
36	00777600206		
37	00777600205		
38	91007000002	THREADED BUSH M16X1.5	

**PG/SR**



**S/N**

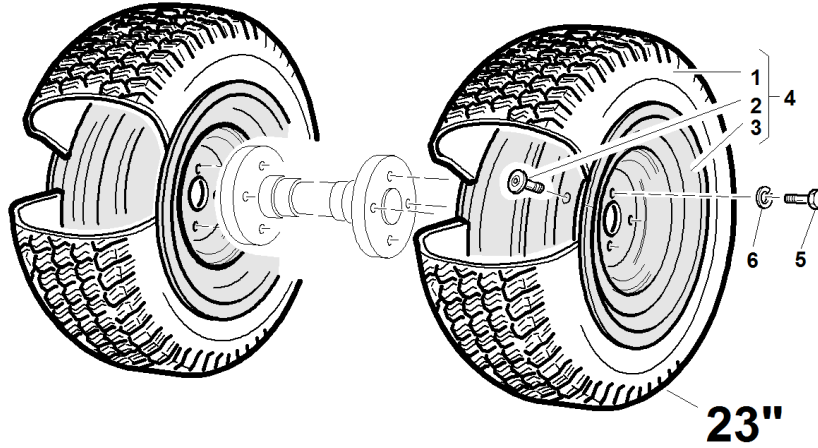
→ **1204001 ÷ 1207024** ←

**REF. 21 - 00555501922**

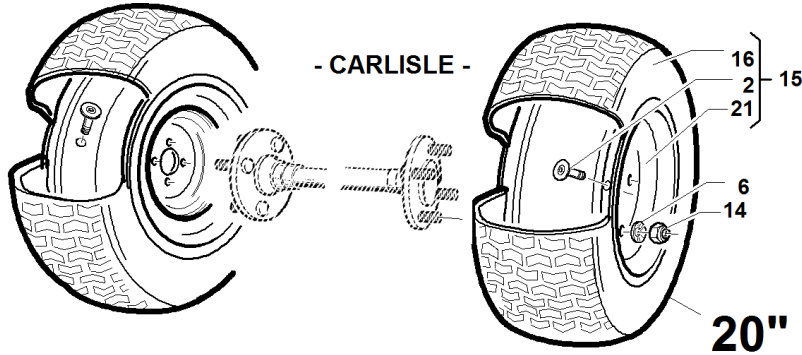
#	P/N	DESCRIPTION	PG/SR
1	00777600138	EXTENSION 1/4 L=35	
3	00777601100	DISTRIBUTOR LONG LEVER	
4	94013150000	CYLINDER	
5	95301371001		
6	00111150005	NUT M16X1.5	
7	91007000002	THREADED BUSH M16X1.5	
8	95062000004	M8 Ch12 NUT	
9	001111990017	BUSHING WITH EDGE TFF 20/16,5	
10	95400000002		
11	95411000005		
12	95411000006		
13	00777600086	HOSE R1 L=1850	
14	00777600087	HOSE R1 L=1350	
15	95128000002	HOSE R1 1/4 L=1250	
16	00777600088	HOSE R1 L=1730	
17	00777600092	HOSE R1 L=350	
19	00777600108	"THREADED EYES 1/4 X 1/4"	
20	00777600037	EXTENSION M/F 1/4 L=35	
21	95301000031	DISTRIBUTOR SUPPORT	
22	00777600040	SIMPLE CABLE BOLT	
23	00777600039	DOUBLE CABLE BOLT	
24	00777600122	NIPPLE 1/4 X 1/4 - 0,9 ORIFICE	
25	00777600001	WASHER COPPER 1/4	
26	00777600100	EXTENSION M/M 1/4 L=35	
27	001111970135	HANDGRIP D.25 M8	
28	95400000003		
29	00777600113	DISTRIBUTOR SAFETY LEVEL SPRING	
30	95162000009	DISTRIBUTOR SAFETY LEVEL	
31	95598890000		
32	001111450001	SCREW WASHER M8X25	
33	001111000186	SCREW TSPEI M8X20	
34	001111400011	ALLEN SCREW M6X50	
35	001111000166	SELF BL. SCREW M6	
36	00777600206		
37	00777600205		
38	91007000002	THREADED BUSH M16X1.5	



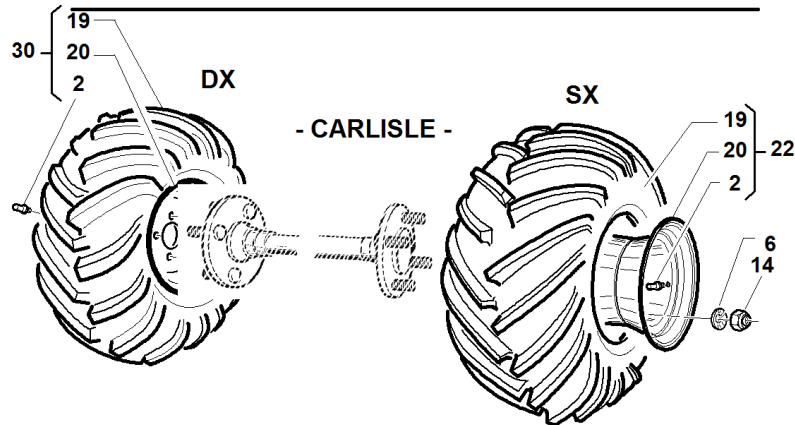
**PG/SR**



**23"**



**20"**

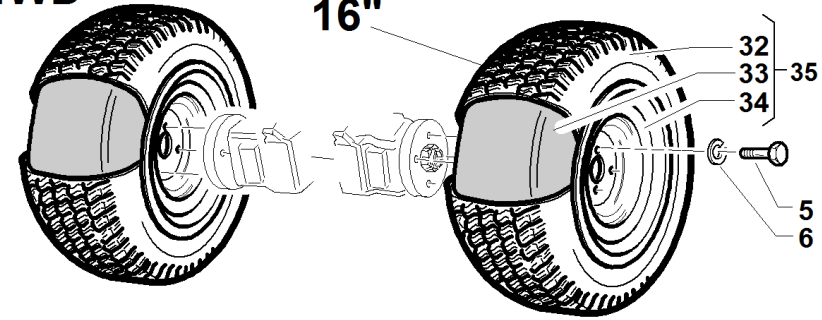


**DX**

**SX**

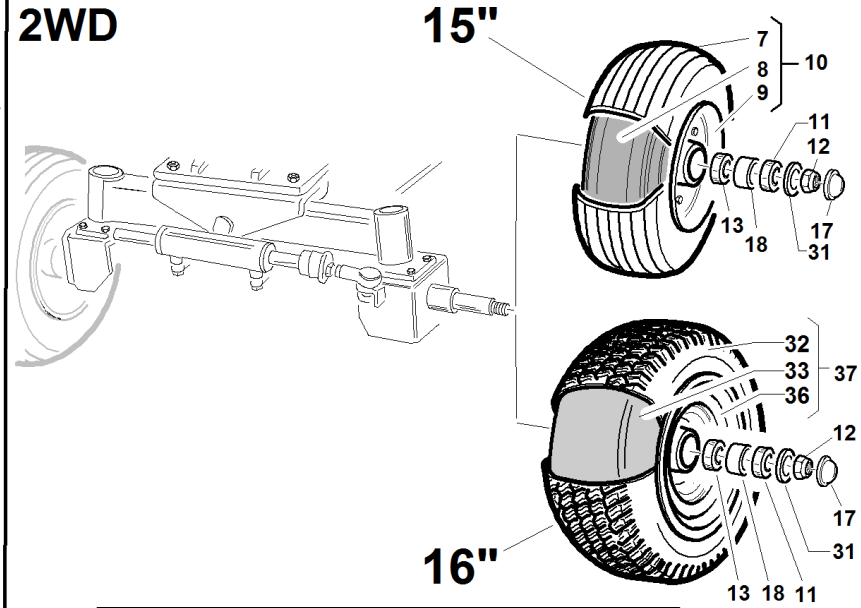
**- CARLISLE -**

**4WD**



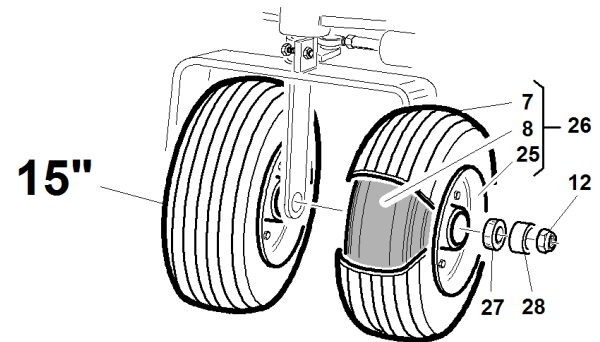
**16"**

**2WD**



**15"**

**16"**



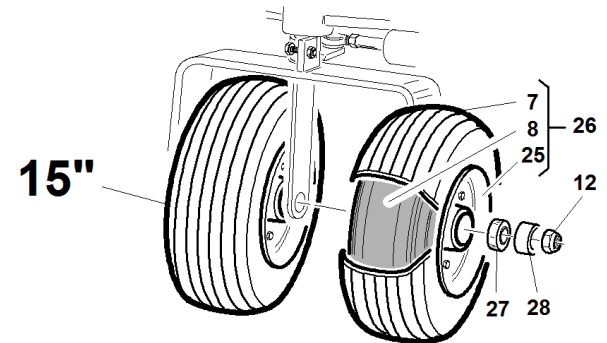
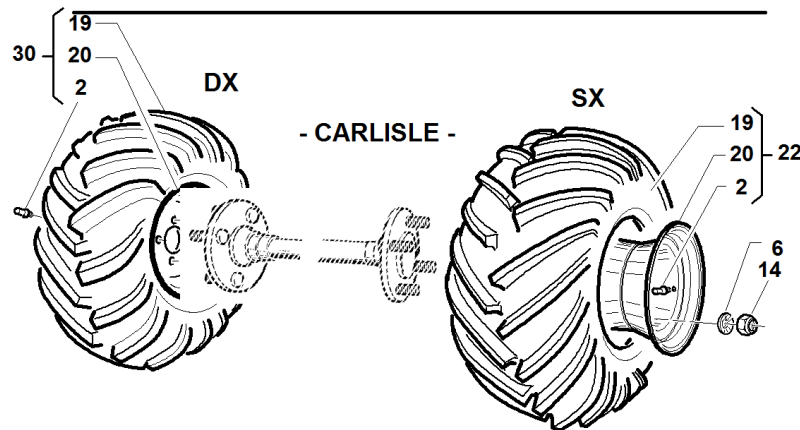
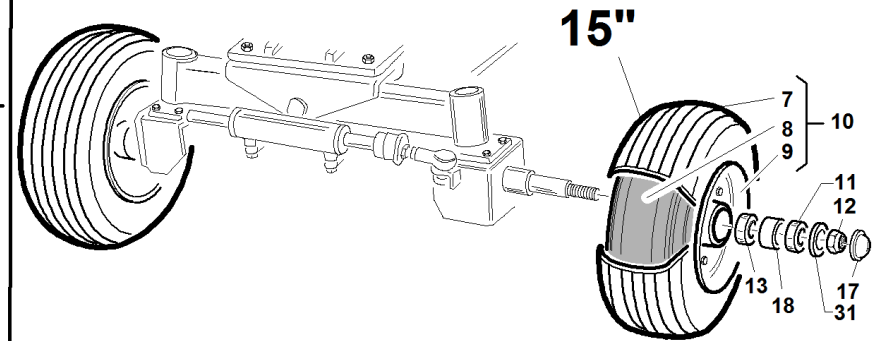
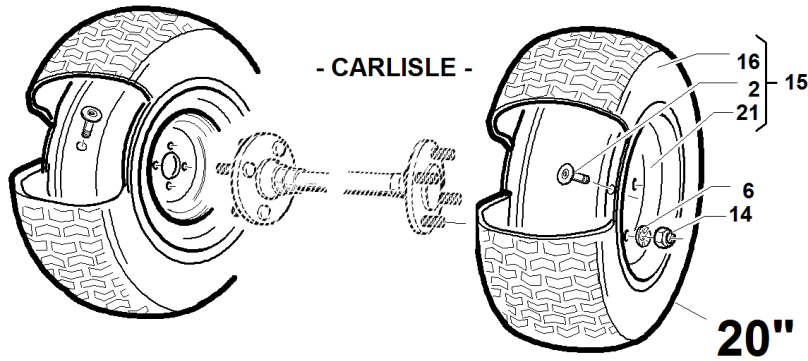
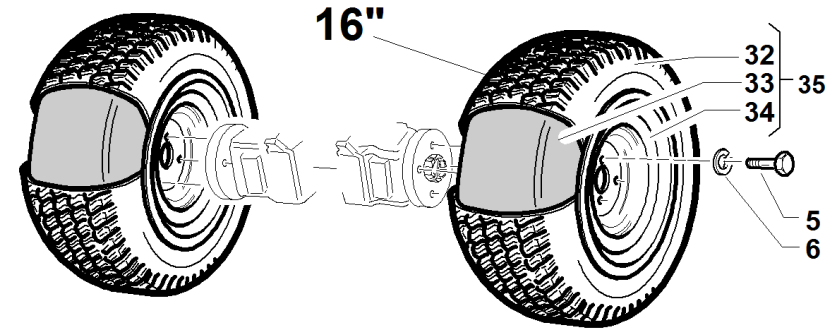
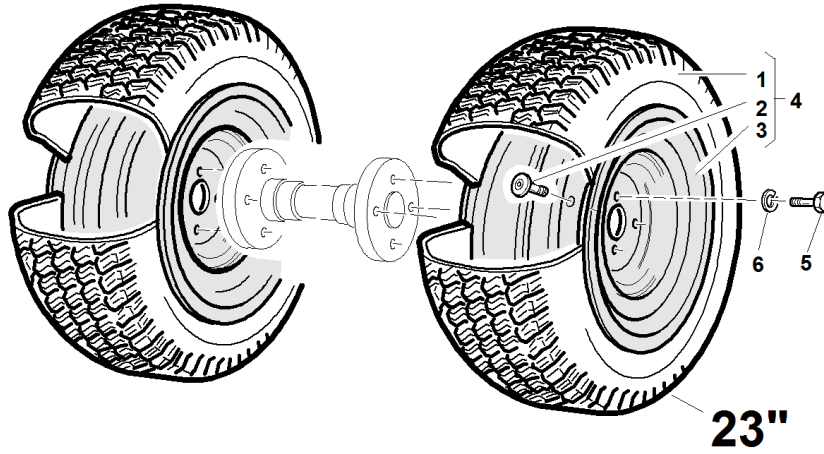
**15"**

**S/N**  
→ **1303002**

**REF. 22 - 00555501942**

#	P/N	DESCRIPTION	PG/SR
1	00111940024	23X10,50-12 TIRE	
2	00111930006	TUBELESS VALVE TR413	
3	95303130001	RIM 8.50X12	
4	95303130000	23X10.50-12 WHEEL	
5	00111300055	SCREW TE M12X1,25X25	
6	00111550004	ELASTIC WASHER M12	
7	00111940025	CARLISLE STRAIGHTRIB 15X6.00-6	
8	00111930005	INNER TUBE 15,6.00X6" TR13	
9	95311121000	RIM 15x6.00-6	
10	95311120000	WHEEL CARLISLE 15X6.00-6	
11	00777100008	BEARING 6204 2RS 20x47x14	
12	00111250011	SELF BL. NUT M14x1,5	
13	00777100028	KOYO BEARING 6303 2RS	
14	00111250009	SELF BL. NUT M12X1.5	
15	95318100000		
16	00111940031		
17	00777270005	CAP D=47	
18	95311121001	SPACER 21X30X35	
19	00111940021	21x11.00-8 CLAWED TIRE	
20	95175100000	RIM 10.00 X 8" L=266	
21	95318100001		
22	95218110000	LEFT COMPLETE WHEEL 21x11.00-8	
25	95046100001	"RIM 5,00X6"""	
26	95325120000	CARLISLE PG WHEEL 15X6.00-6	
27	00777100005	KOYO BEARING 6202 2RS	
28	95599000030	SPACER	
30	95218100000	WHEEL DX21X11.00-8 CARLISLE	
31	95303110004	SPACER D14.5XD35X3	
32	00111940032	TURFMASTER 16X7.50-8 4PR TIRE	
33	00111930003	INNER TUBE 16.6.50X8	
34	95409180001		
35	95409180000	RUOTA 16x7.50-8 COMPLETA	
36	95421100001	5.00X8" RIM	
37	95421100000	16x7.50-8 COMPLETE WHEEL	

**PG/SR**

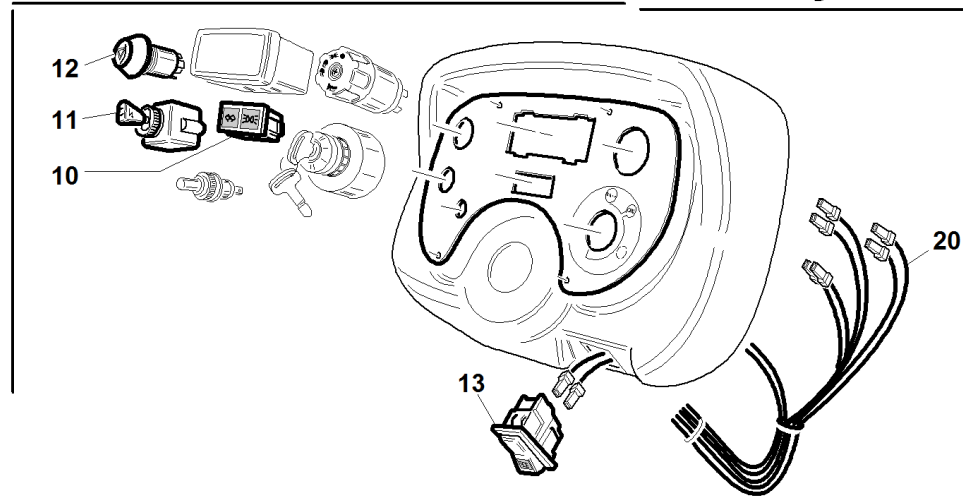
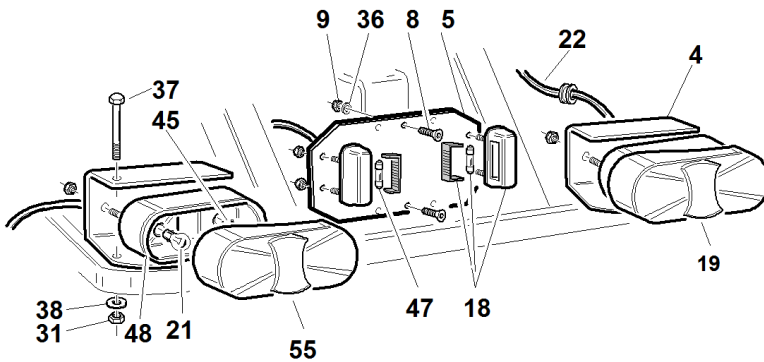
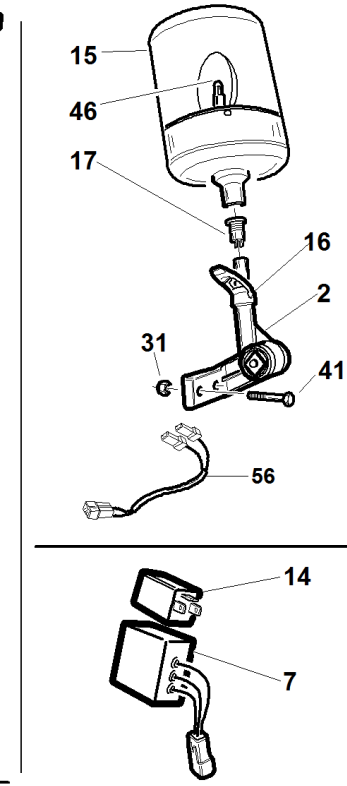
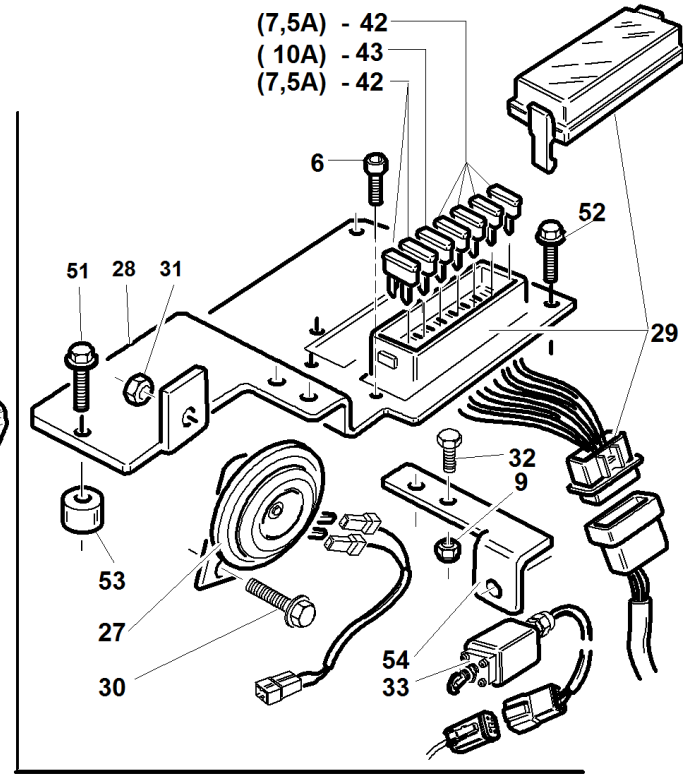
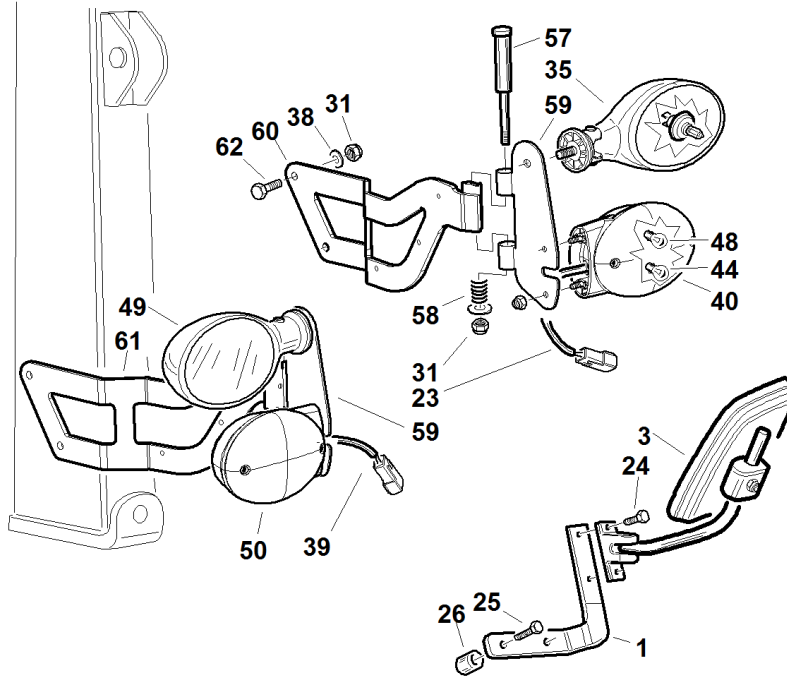


**S/N**

→ 1204001 ÷ 1303001 ←

**REF. 22 - 00555501923**

#	P/N	DESCRIPTION	PG/SR
1	00111940024	23X10,50-12 TIRE	
2	00111930006	TUBELESS VALVE TR413	
3	95303130001	RIM 8.50X12	
4	95303130000	23X10.50-12 WHEEL	
5	00111300055	SCREW TE M12X1,25X25	
6	00111550004	ELASTIC WASHER M12	
7	00111940025	CARLISLE STRAIGHTRIB 15X6.00-6	
8	00111930005	INNER TUBE 15,6.00X6" TR13	
9	95311121000	RIM 15x6.00-6	
10	95311120000	WHEEL CARLISLE 15X6.00-6	
11	00777100008	BEARING 6204 2RS 20x47x14	
12	00111250011	SELF BL. NUT M14x1,5	
13	00777100028	KOYO BEARING 6303 2RS	
14	00111250009	SELF BL. NUT M12X1.5	
15	95208110000	CARLISE WHEEL 20X10.00-8	
16	95208110001	20x10.00-8 TYRE	
17	00777270005	CAP D=47	
18	95311121001	SPACER 21X30X35	
19	00111940021	21x11.00-8 CLAWED TIRE	
20	95175100000	RIM 10.00 X 8" L=266	
21	95046200001	RIM 7.00X8	
22	95218110000	LEFT COMPLETE WHEEL 21x11.00-8	
25	95046100001	"RIM 5,00X6""	
26	95325120000	CARLISLE PG WHEEL 15X6.00-6	
27	00777100005	KOYO BEARING 6202 2RS	
28	95599000030	SPACER	
30	95218100000	WHEEL DX21X11.00-8 CARLISLE	
31	95303110004	SPACER D14.5XD35X3	
32	00111940032	TURFMASTER 16X7.50-8 4PR TIRE	
33	00111930003	INNER TUBE 16.6.50X8	
34	95409180001		
35	95409180000	RUOTA 16x7.50-8 COMPLETA	



#	P/N	DESCRIPTION	PG/SR	REF. 23 - 00555501924
1	95233000001			
2	00111971100	LAMP SUPPORT		
3	00111970154	LEFT REARVIEW MIRROR		
4	95233000002			
5	95162000004	PLATE SUPPORT		
6	00111400028	ALLEN SCREW M5X14		
7	95162300000	ELECTRIC TIMER PANEL		
8	00111350023	SCREW TSPEI M6X20		
9	00111000166	SELF LOCKING NUT M6 UNI 7473		
10	00777800141	DIRECTION INDICATOR TELLTALE		
11	00777800142	TURN INDICATOR SWITCH		
12	00777800144	EMERGENCY LIGHT SWITCH		
13	00777800145	LAMP SWITCH		
14	00777800171	INTERMITTENCE 12V-47/180W		
15	00777802800	ROTATING LAMP		
16	00777801402	LAMP PLASTIC CAP		
17	00777801401	LAMP CONNECTOR		
18	00777802000	PLATE LIGHT		
19	95599000082			
20	95233100001			
21	00777800226	LAMP 12V PY21W		
22	95233101201			
23	95233101101			
24	00111000137	SCREW TE M6X25		
25	00111000094	SCREW TE M8X40		
26	92002100006	SPACER Ø12X20 H=18.3 ZNT		
27	00777800022	HORN 12V		
28	95301000012	PEDAL SUPPORT		
29	95162201202	FUSE BOX		
30	00111450003	SCREW WASHER M8X20		
31	00111000071	SELF LOCKING NUT M8 UNI 7473		
32	00111450005	SCREW/W M6X16		
33	95162201300	STOP LIGHT WIRED MICRO		
35	95599000073	"LEFT LIGHT		
36	00111500009	WASHER 6.4X12.5X1.6		
37	00111300027	HEX SOCKET HEAD CAP SCREW M8X60 UNI 5737		
38	00111000087	WASHER P.8,4X15.6X1,5		
39	95233101001			
40	95599000071	FRONT LIGHT LEFT ARROW +PARKING LIGHT		
41	00111000145	SCREW TE M8 X 35		
42	00777800078	BLADE FUSE 7,5 AMP		
43	00777800079	BLADE FUSE 10A		
44	00777800177	BULB 12V R5W		
45	00777800179	BULB 12V P21/5W		
46	00777800180	BULB H1 12V 55W		
47	00777800181	BULB 12V C5W		
48	00777800178	BULB 12V P21W		
49	95599000072	LIGHT		
50	95599000070	FRONT LIGHT RIGHT ARROW+PARKING LIGHT		
51	00111450002	SCREW WASHER M8X30		
52	00111000059	FAKE SCREW/WASH. M8X14		
53	95301000004	SPACER 12X25 L=15		
54	95301000030	STOP SWITCH SUPPORT		
55	95599000077	REAR LIGHT GLASS		
56	95233100002			
57	92111000002			
58	95001000031	PTO CLUTCH SPRING		
59	95233130000			
60	95233110000			

**#****P/N****DESCRIPTION****PG/SR****REF. 23 - 00555501924**

61

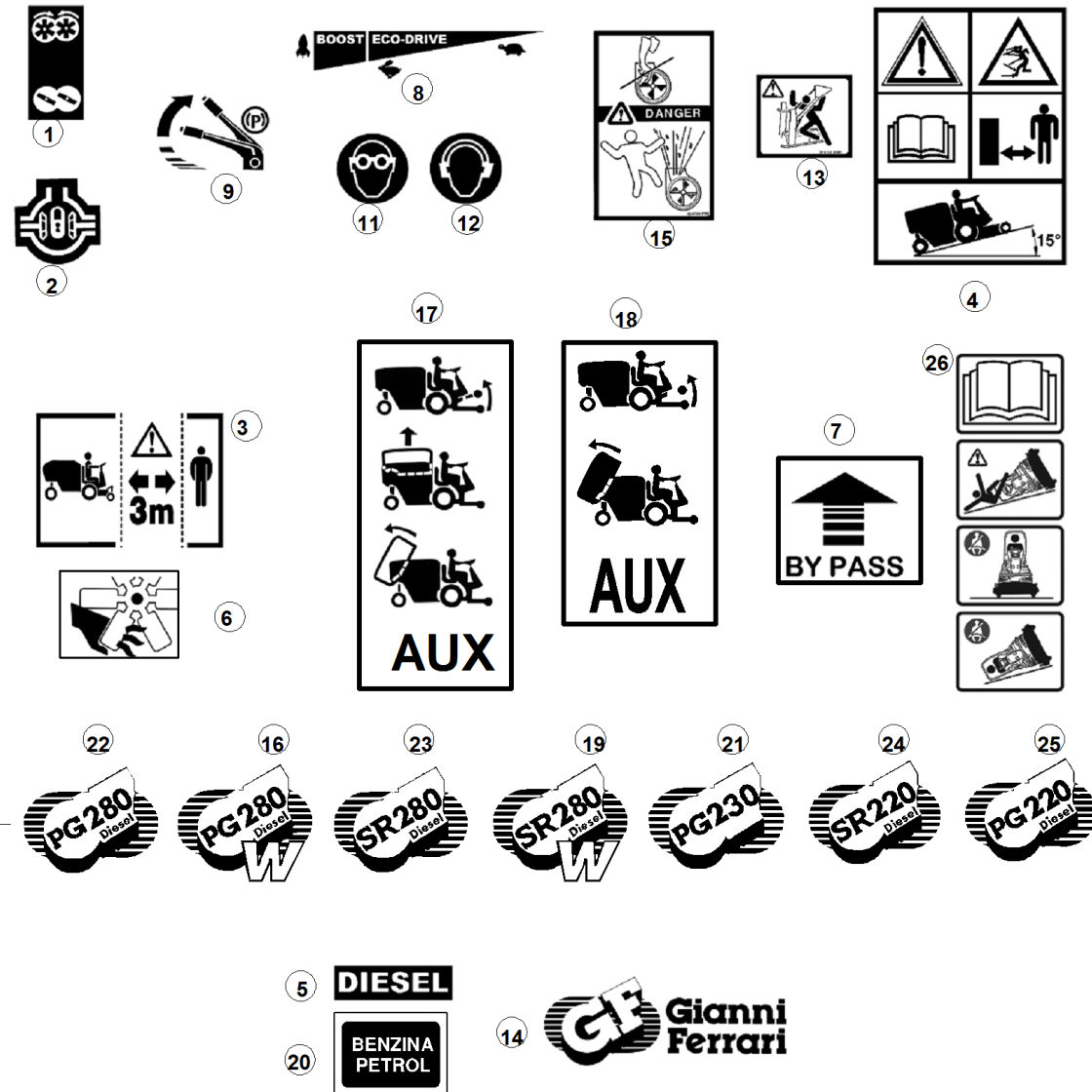
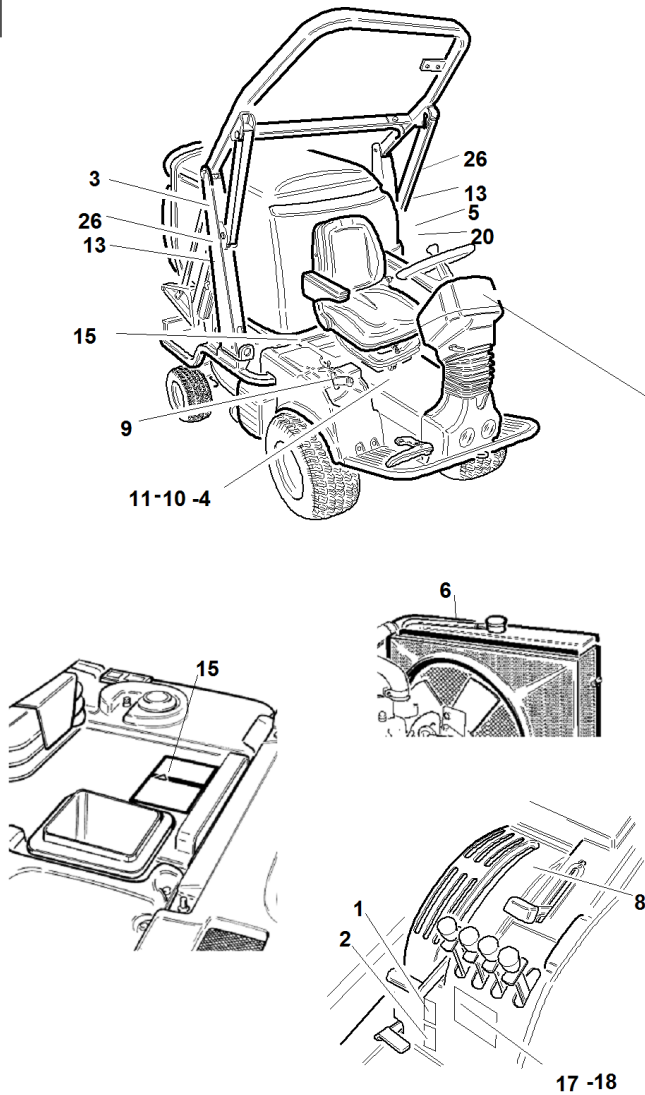
95233120000

62

00111300008

SCREW TE M8X25

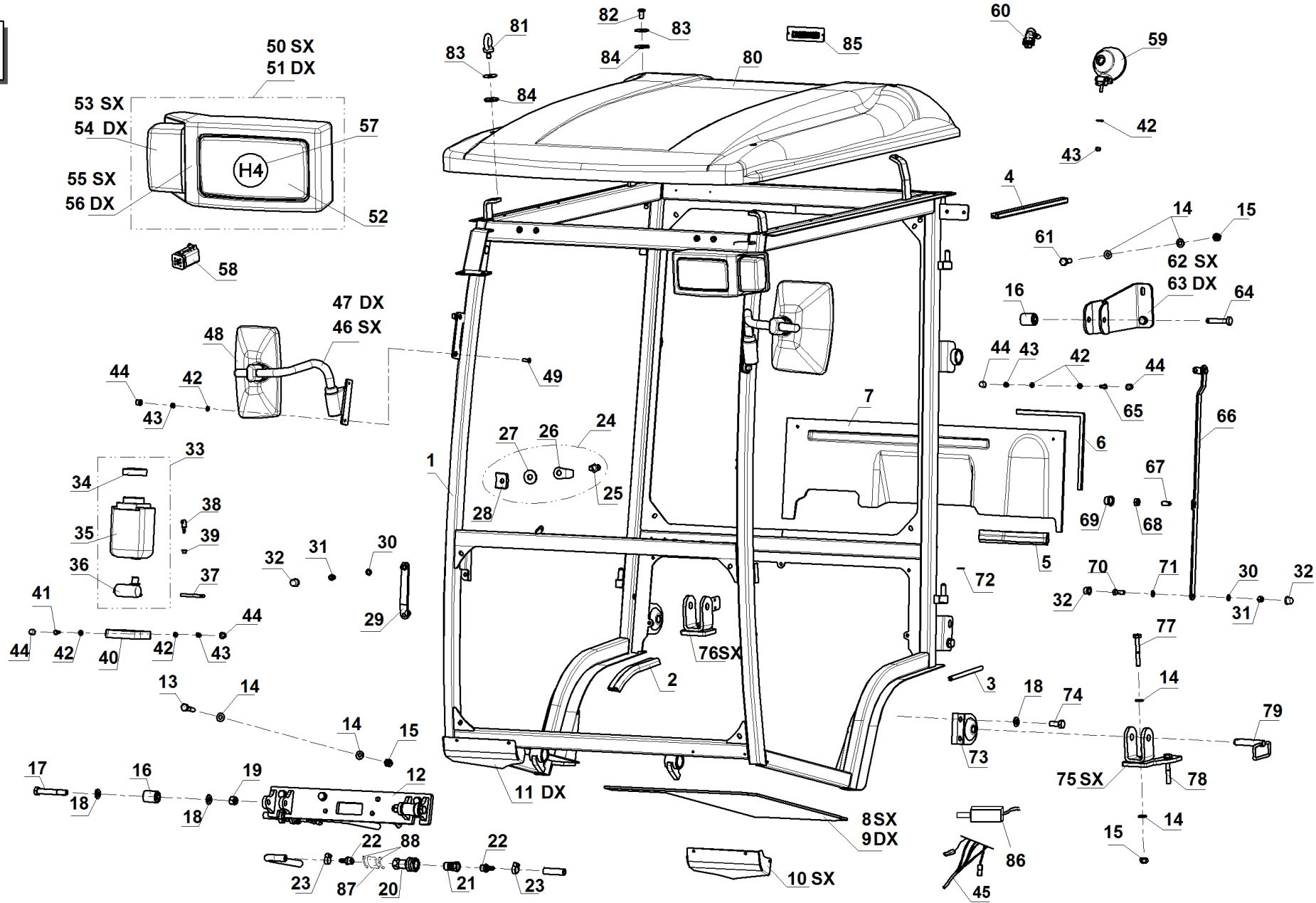
**PG/SR**





#	P/N	DESCRIPTION	PG/SR
1	00555200006	TRANSFER PRINTING	
2	00555200008	TRANSFER PRINTING BLOC	
3	00555200018	TRANF. KEEP AWAY	
4	00555200143	DANGER TRANSFER PRINTING	
5	00555200114	TRANSFER PRINTING "DIESEL"	
6	00555200115	ENGINE FAN WARNING STICKER	
7	00555200124	TRANSFER PRINTING	
8	00555200283		
9	00555200128	TRANSFER PRINTING BRAKE	
10	00555200129	TRANSFER PRINT.HEARING PROTEC.	
11	00555200130	TRANSFER PRINTING EYE PROTECTION	
12	00555200144	TRANSFER PRINTING	
13	00555200119	TRANSFER PRINTING	
14	00555200285		
15	00555000027	TRANSFER PRINTING TURBINE	
16	00555200267		
17	00555200132	PG HIGH DUMP LEVER TRANSFER PRINTING	
18	00555200133	PG DISTRIBUTOR TRANSFER PRINTING	
19	00555200271		
20	00555200163	"PETROL" FUEL TRANSFER PRINTING	
21	00555200253		
22	00555200266	STICKER	
23	00555200270		
24	00555200269		
25	00555200268		
26	00555200257	ROPS-SAFETY TRANSFER PRINT	

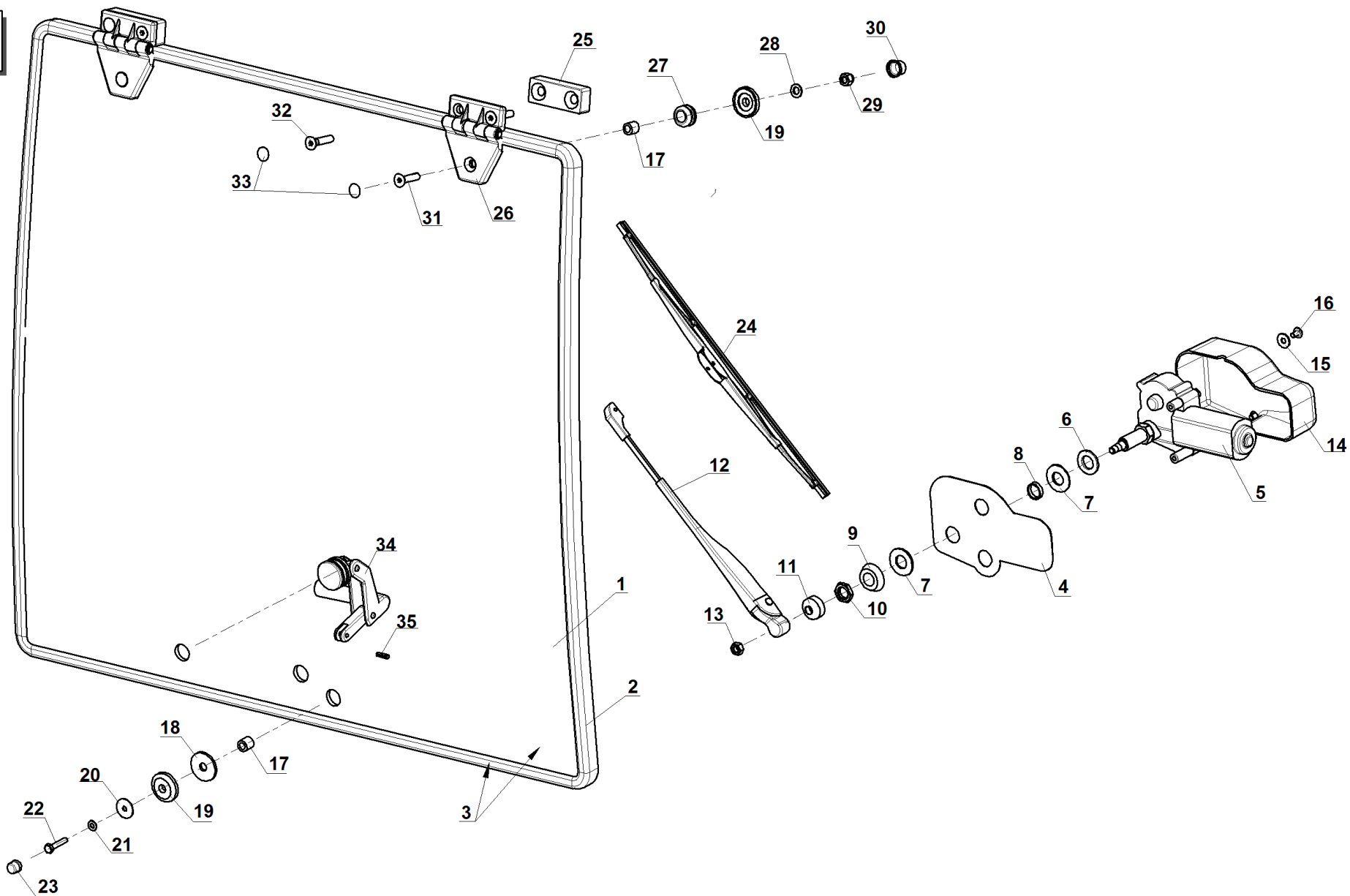
**PG/SR**



#	P/N	DESCRIPTION	PG/SR	REF. 25 - 00555501926
1	95187100008	FRAME		
2	95187100009			
3	95187100010			
4	95187100011			
5	95187100012			
6	95187100106			
7	95187100014			
8	95187100015			
9	95187100016			
10	95187100017			
11	95187100018			
12	95187100019	SUPPORTO ANTERIORE		
13	00111300043	SCREW TE UNI 5737 M10x45 8.8		
14	00111500032	ROSETTA P. 10,5X25X2 DIN7349 ZNT		
15	00111250023	SELF BL. NUT M10		
16	95187100021	CYLINDER VIBRATION		
17	00111300094	SCREW		
18	00111000105	WASHER P.13X24X2,5		
19	00111250008	SELF BL. NUT M12		
20	95187100023	RAPID ATTACHMENT		
21	95187100024	MALE RAPID ATTACHMENT		
22	95187100025	RACCORDO TUBO RISCALDAMENTO		
23	00111810008	CLAMP 12-20 TYPE NORMA		
24	95187100026			
25	95187100027			
26	95187100028			
27	00111500031	WASHER P. 14X36X3		
28	95187100030			
29	95187100031	DOOR SPACER		
30	00111550009	ELASTIC WASHER M8		
31	00111250014	SELF BL. NUT M8		
32	95187100033	PLASTIC CAP M8		
33	95187100034			
34	95187100035			
35	95187100036			
36	95187100037			
37	95187100038			
38	95187100039			
39	95187100040			
40	95187100041			
41	00111300096			
42	00111500009	WASHER 6.4X12.5X1.6		
43	00111000166	SELF BL. SCREW M6		
44	95187100042			
45	95187100020			
46	95187100004	LEFT CABINREARVIEW MIRROR ROAD		
47	95187100003	RIGHT CABIN REARVIEW MIRROR ROAD		
48	95187100005	CABIN REAEVIEW MIRROR CUP		
49	00111350006			
50	00777803200	CABIN LEFT FRONT LIGHT		
51	00777803000	CABIN RIGHT FRONT LIGHT		
52	00777802900	ASYMMETRIC CABIN PROJECTOR		
53	00777800207	LEFT DIRECTION LIGHT GLASS		
54	00777800208	RIGHT DIRECTION LIGHT GLASS		
55	00777800224			
56	00777800215			
57	00777800206	LAMP 12V 60/55W		
58	95187100043			
59	95187100044			

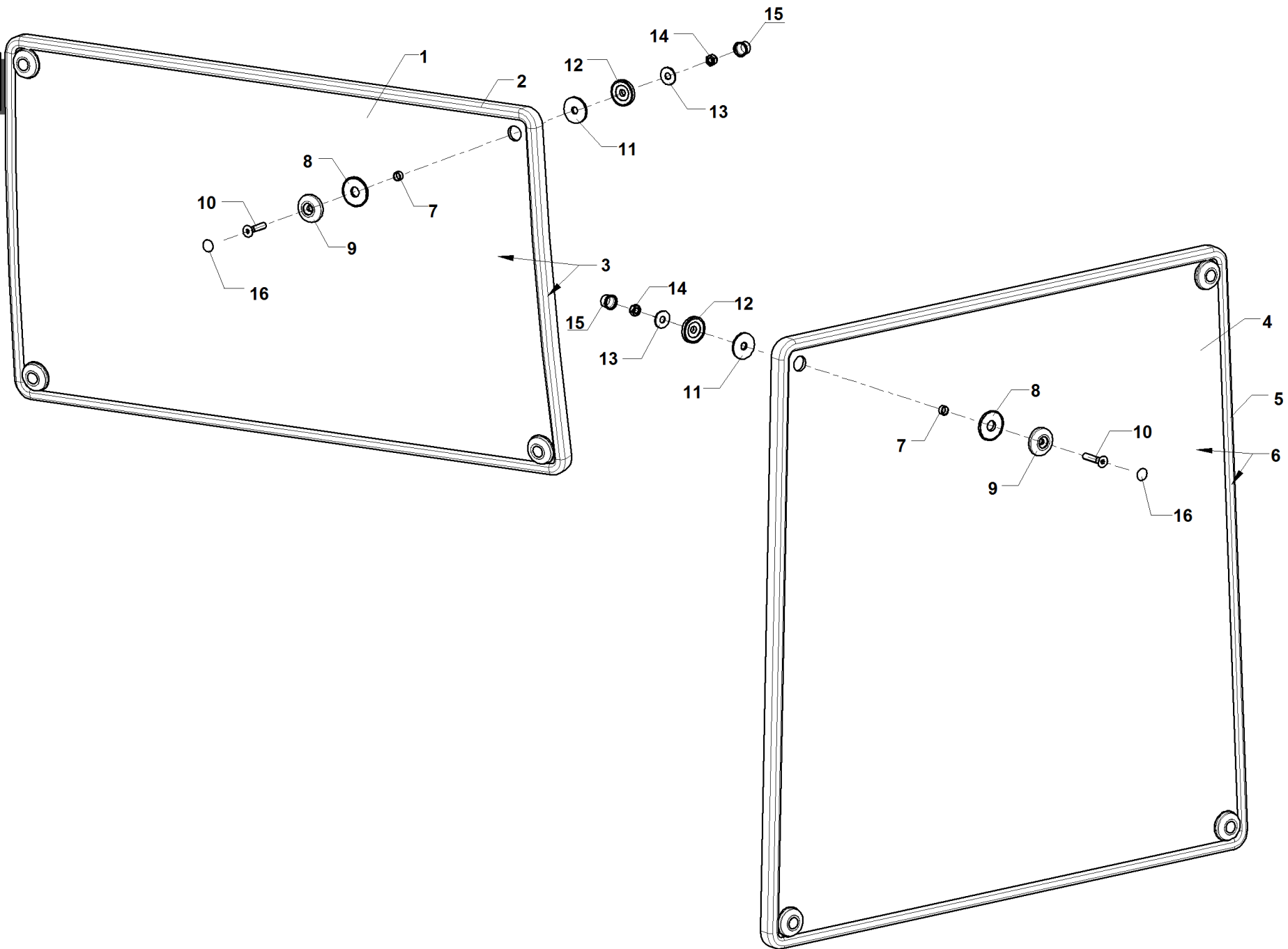
#	P/N	DESCRIPTION	PG/SR
60	00777800209	CABIN WORK LAMP	
61	00111300044	SCREW TE UNI 5739	
62	95187100045	SUPORTO POST. SOPRA SX	
63	95187100046	SUPORTO POST. SOPRA DX	
64	95187100148	PERNO SICUREZZA PER SUPPORTO	
65	00111000171		
66	95187100047		
67	95187100048		
68	00111000080	SELF BLO. SCREW M10	
69	95187100049		
70	00111300064	SCREW M8X25	
71	00111500006	WASHER D.8 NYLON	
72	95187100050		
73	95187100051	SILENTBLOC CPL.	
74	00111300009	SCREW TE M12X30	
75	95187100052	SUPPORT	
76	95187100053	SUPPORT	
77	00111300085	SCREW	
78	00111300068	SCREW	
79	95187100055	PIN	
80	95187100054	ROOF PANEL	
81	95187100032		
82	00111350020	SCREW TBEI M10X20	
83	95187100063	RUBBER WASHER 36X10X3	
84	00111500003	WASHER 12X36X3	
85	95187100022		
86	95187000002	WIRED CABIN CLOSED MICRO	
87	00777600171	LITTELE COLUMN 3/8	
88	00777600003	WASHER COPPER 3/8	

**PG/SR**



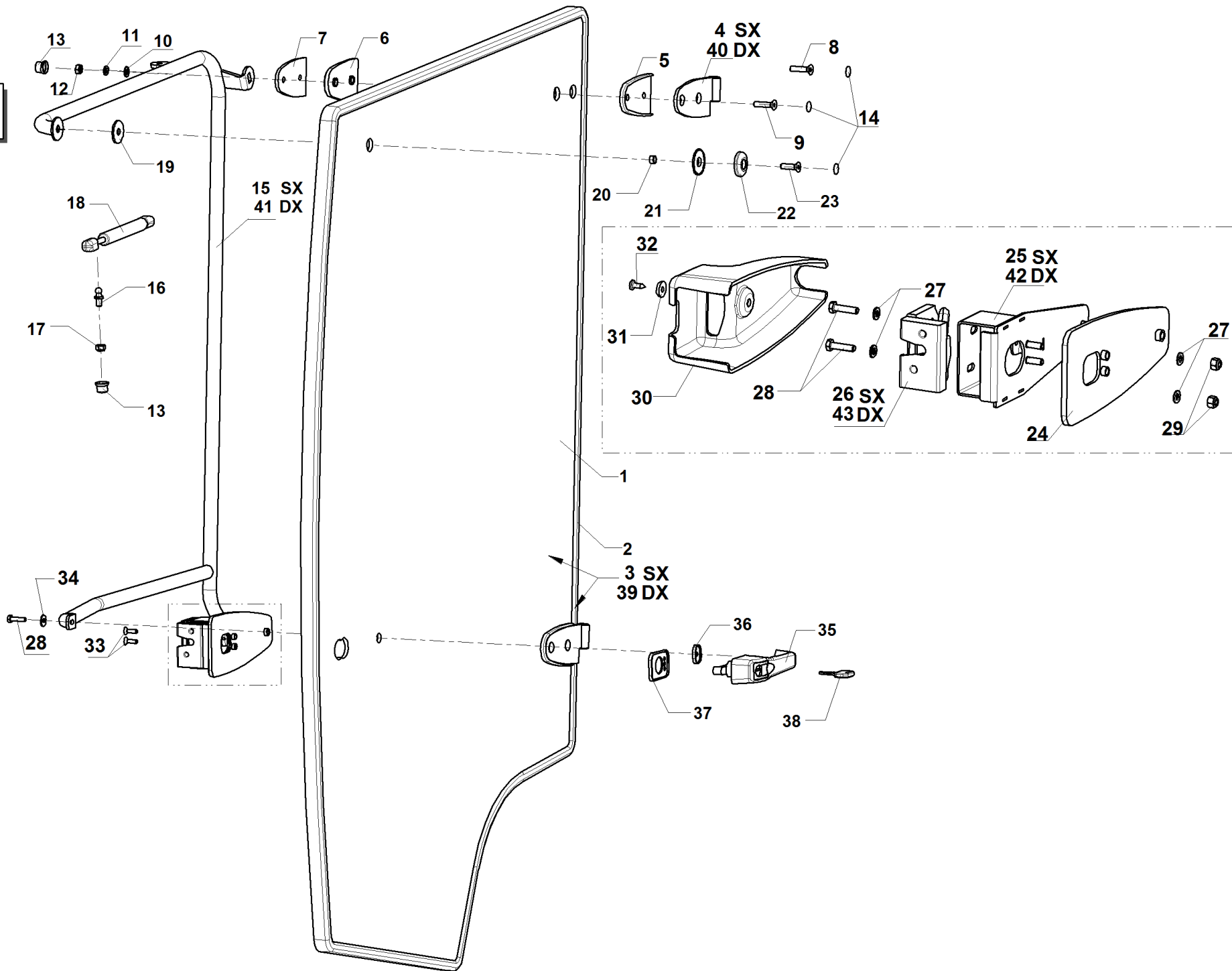
#	P/N	DESCRIPTION	PG/SR
1	95187100079	FRONT WINDOW SLH22	
2	95187100142		
3	95187100146		
4	95187100144		
5	95187100145		
6	00111500002	WASHER 16,5X48X3	
7	95187100056		
8	95187100057		
9	95187100058		
10	00111500021	WASHER 20X28X1,5	
11	95187100059		
12	95187100060	WIPER ARM CONICAL C10XM8	
13	00111000082	NUT M8	
14	95187100061		
15	95187100147		
16	00111450010	SCREW/W M6X10	
17	95187100062		
18	95187100063	RUBBER WASHER 36X10X3	
19	95187100064	PLASTIC WASHER	
20	00111500033		
21	00111500009	WASHER 6.4X12.5X1.6	
22	00111300039	SCREW TE M6X30	
23	95187100042		
24	95187100065	WIPER BLADE 410MM	
25	95187100066		
26	95187100067		
27	95187100068		
28	00111000087	WASHER P.8,4X15.6X1,5	
29	00111550009	ELASTIC WASHER M8	
30	95187100033	PLASTIC CAP M8	
31	00111350038	SCREW	
32	00111000111	SCREW TSPEI M8X40	
33	95187100069	BLACK PLASTIC CAP FOR SCREW	
34	95187100070		
35	00111000146	PIN ELASTIC D.5X16	

**PG/SR**

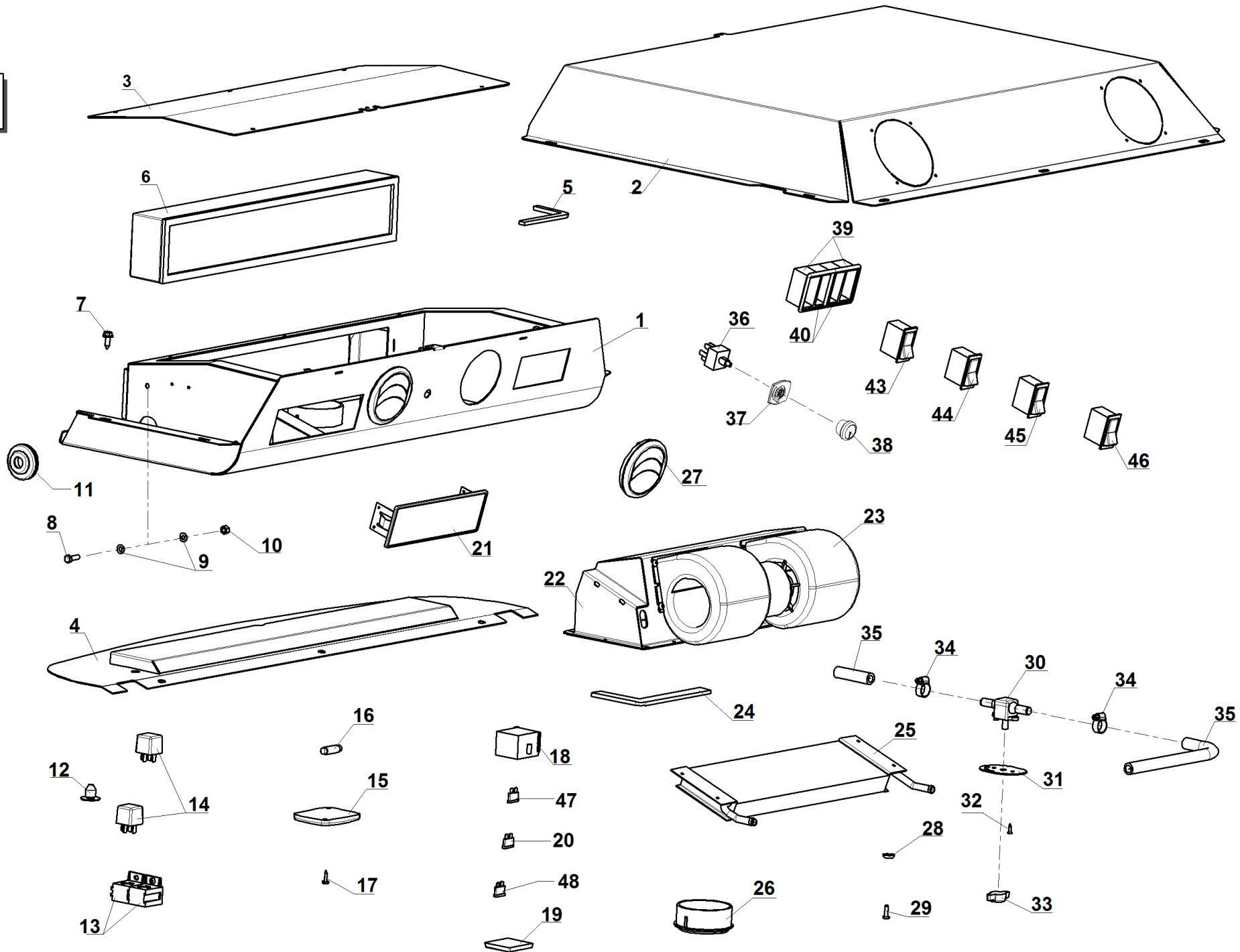


#	P/N	DESCRIPTION	PG/SR
1	95187100071	LOW FRONT GLASS	
2	95187100072		
3	95187100073		
4	95187100074	REAR GLASS	
5	95187100075	GLASS GASKET I=3,5MT	
6	95187100076	REAR GLASS WITH GASKET	
7	95187100077	NYLON SEAL WASHER	
8	95187100078	RUBBER WASHER	
9	95187100143	STUD	
10	00111000111	SCREW TSPEI M8X40	
11	95187100063	RUBBER WASHER 36X10X3	
12	95187100064	PLASTIC WASHER	
13	00111000132	WASHER P. 8,4X32X2,5 ZNT	
14	00111550009	ELASTIC WASHER M8	
15	95187100033	PLASTIC CAP M8	
16	95187100069	BLACK PLASTIC CAP FOR SCREW	



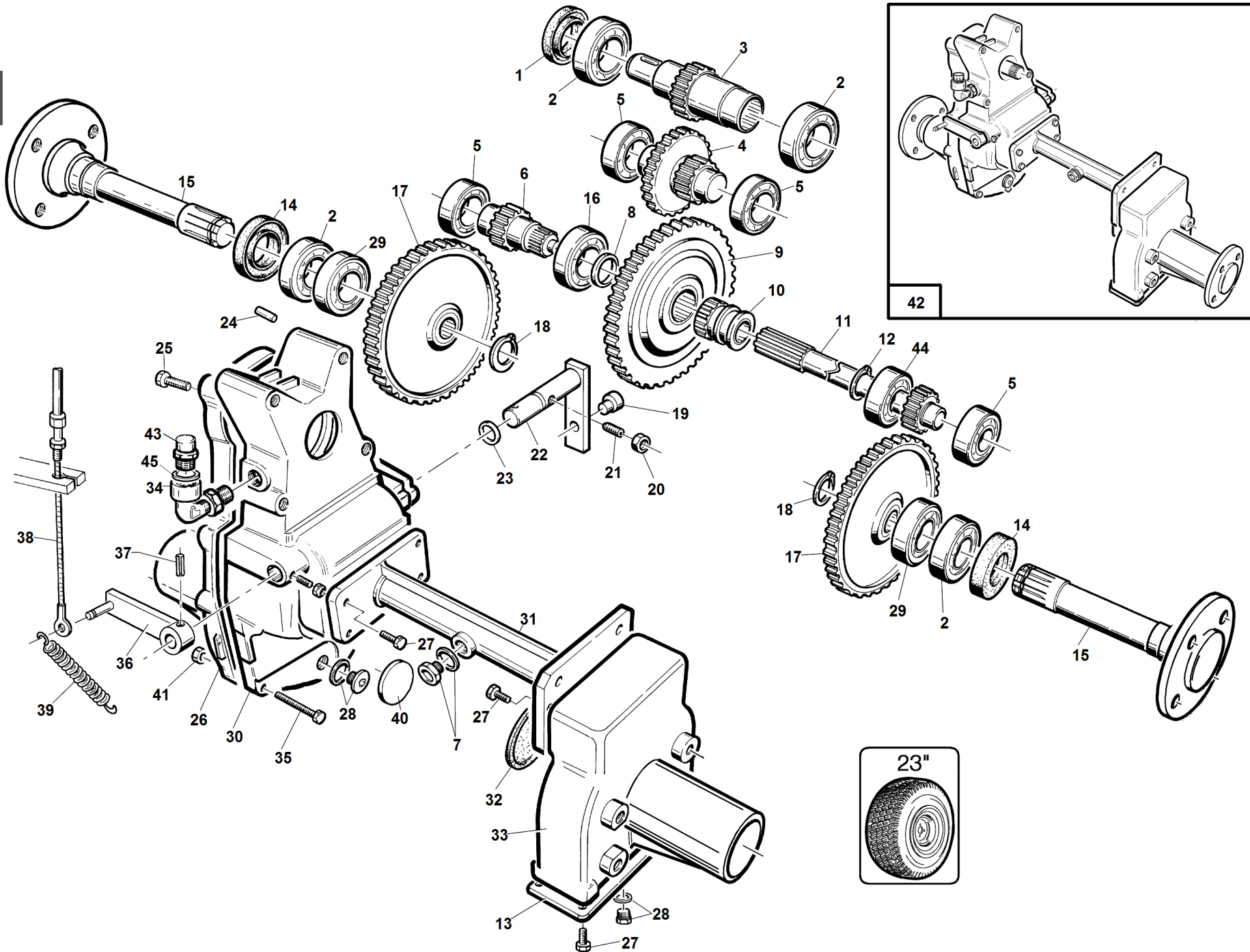


#	P/N	DESCRIPTION	PG/SR	REF. 28 - 00555501929
1	95187100149	DOOR GLASS		
2	95187100080	GLASS GASKET L=4,50 M		
3	95187100006	LEFT DOOR GLASS WITH GASKET		
4	95187100082	DOOR HINGE LEFT CPL. T4		
5	95187100084	HING RUBBER BOTTOM		
6	95187100085			
7	95187100086			
8	00111350038	SCREW		
9	00111000111	SCREW TSPEI M8X40		
10	00111000087	WASHER P.8,4X15.6X1,5		
11	00111000179	GROWER WASHER M8		
12	00111000082	NUT M8		
13	95187100033	PLASTIC CAP M8		
14	95187100069	BLACK PLASTIC CAP FOR SCREW		
15	95187100087			
16	95187100089			
17	00111000095	SELF BLO. NUT M8		
18	95187100007	GAS SPRING 250N W/PLASTIC HEAD		
19	95187100063	RUBBER WASHER 36X10X3		
20	95187100077	NYLON SEAL WASHER		
21	95187100078	RUBBER WASHER		
22	95187100064	PLASTIC WASHER		
23	00111350022	SCREW TSPEI M8X30 ZNT		
24	95187100090			
25	95187100091			
26	95187100093			
27	00111500009	WASHER 6.4X12.5X1.6		
28	00111000137	SCREW TE M6X25		
29	00111000166	SELF BL. SCREW M6		
30	95187100095			
31	95187100096			
32	95187100097			
33	00111350006			
34	00111000037	WASHER 6.6X18X2		
35	95187100098			
36	95187100099	GASKET		
37	95187100100	GASKET		
38	95187100101	LOCK KEY		
39	95187100081	RIGHT DOOR GLASS WITH GASKET		
40	95187100083			
41	95187100088			
42	95187100092			
43	95187100094			

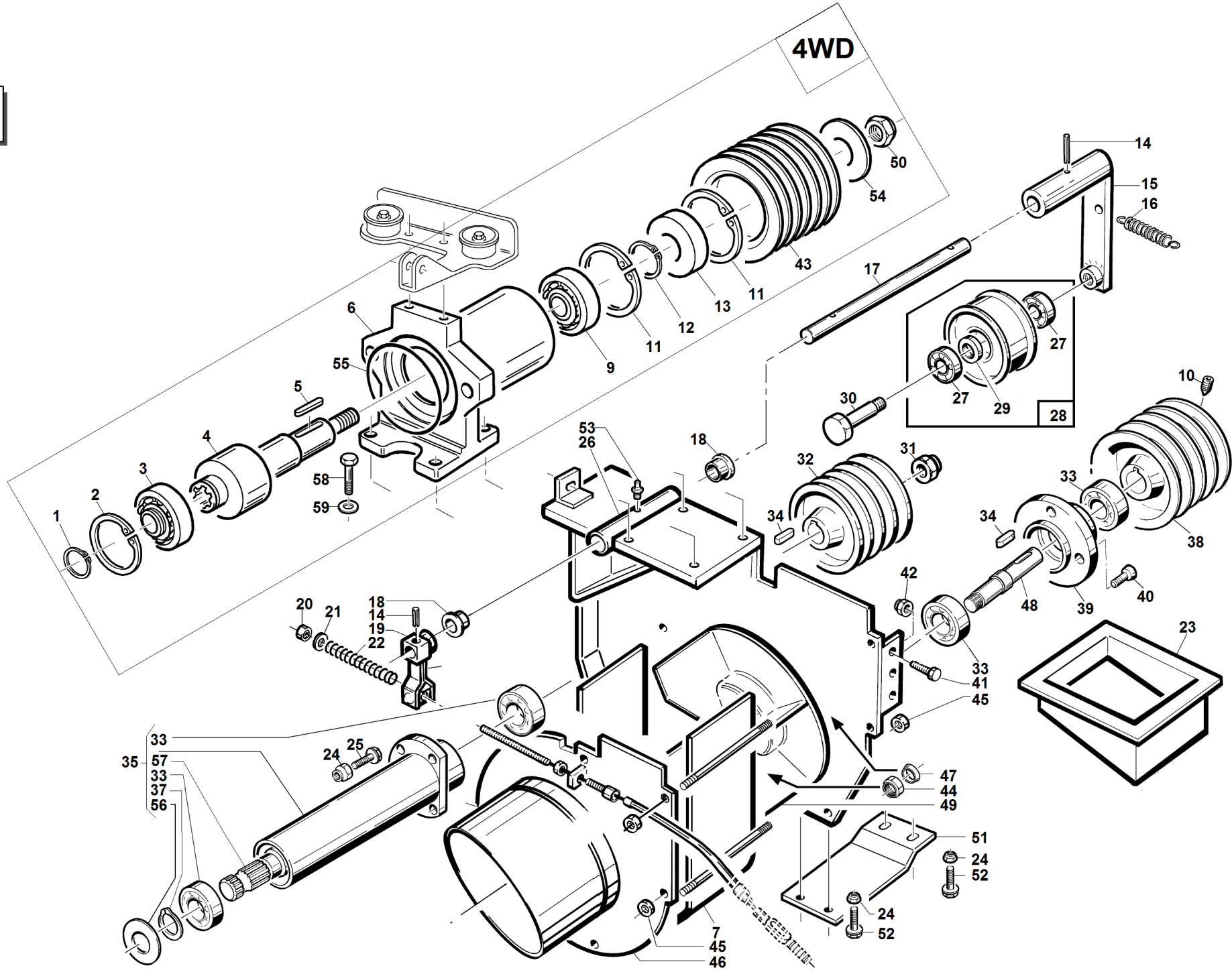


#	P/N	DESCRIPTION	PG/SR
1	95187100102		
2	95187100103		
3	95187100104		
4	95187100105		
5	95187100106		
6	95187100107		
7	95187100108		
8	00111000171		
9	00111500009	WASHER 6.4X12.5X1.6	
10	00111000166	SELF BL. SCREW M6	
11	95187100109		
12	95187100110		
13	95187100111		
14	95187100112		
15	95187100113		
16	95187100114		
17	95187100115		
18	95187100116		
19	95187100117		
20	00777800079	BLADE FUSE 10A	
21	95187100118	RADIO COVER HOLE	
22	95187100119		
23	95187100120		
24	95187100121		
25	95187100122		
26	95187100123		
27	95187100124		
28	95187100125		
29	95187100126		
30	95187100127		
31	95187100128		
32	95187100129		
33	95187100130		
34	00111810008	CLAMP 12-20 TYPE NORMA	
35	95187100131	WATER SPACE HEATERS PIPE L=2650MM	
36	95187100132		
37	95187100133		
38	95187100134		
39	95187100135		
40	95187100136		
43	95187100139		
44	95187100140		
45	95187100141		
46	95187100029		
47	00777800080	BLADE FUSE 15A	
48	00777800126	BLADE FUSE 20A	

**PG-SR - 23"**



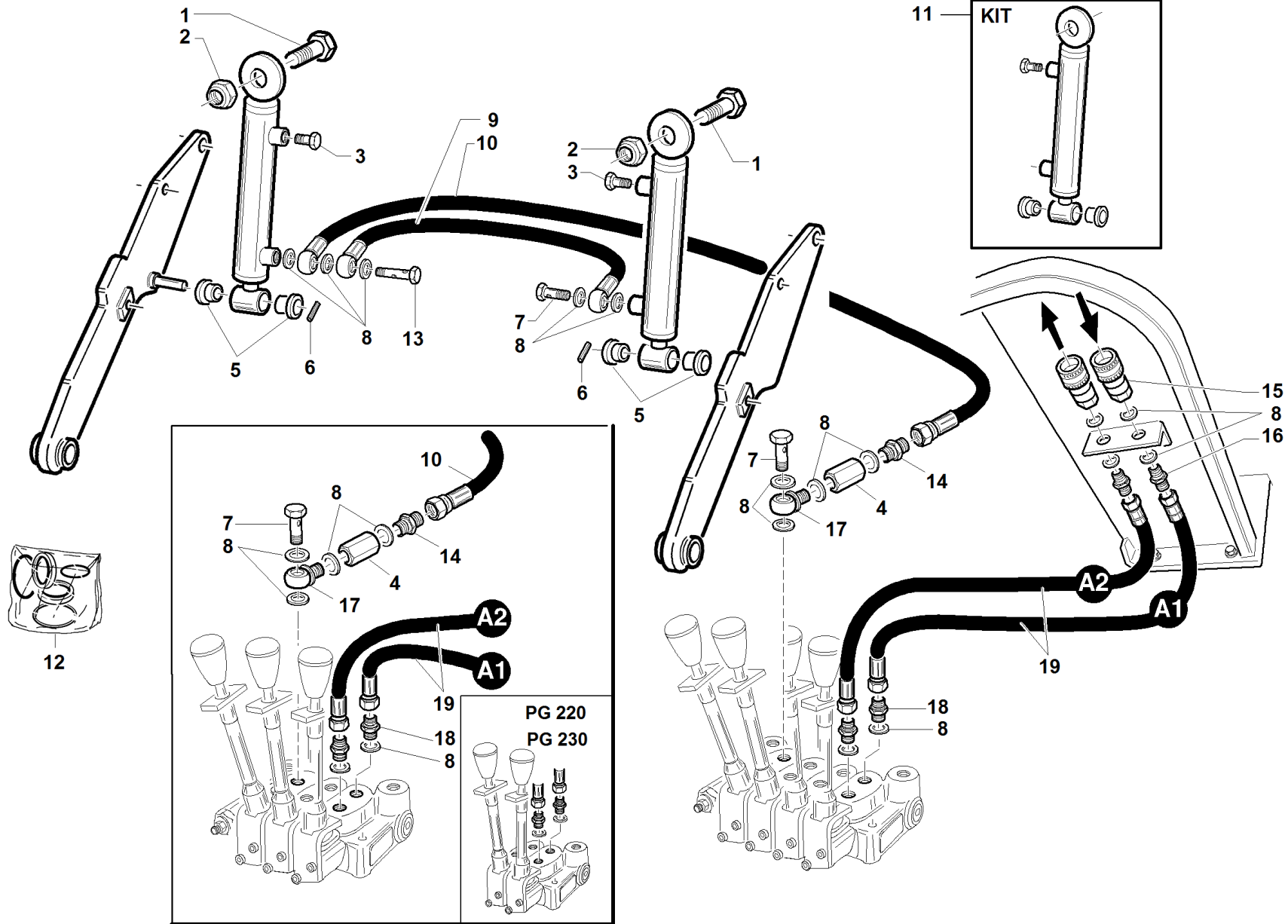
#	P/N	DESCRIPTION	PG-SR - 23"	REF. 30 - 00555501932
1	00777250024	SEAL WASHER AS 30X47X7		
2	00777100014	KOYO BEARING 6006 30X55X13		
3	00777304801	INPUT SHAFT Z=22		
4	00777301003	PINION SHAFT Z31-Z15		
5	00777100015	KOYO BEARING 6005 25X47X12		
6	95303170008	PINION SHAFT Z15		
7	00111990002	LEVEL WITHTROL SIDE DISCHARGE		
8	95303170009	SPACER		
9	00777301001	DIFFERENTIAL		
10	00777301006	SPLINED BUSHING		
11	95303170002	PINION SHAFT Z13		
12	00111650009	SNAP RING D.52 I		
13	95303170007	COVER		
14	00777250025	SEAL WASHER AS 35X55X10		
15	95303170005	AXLE SHAFT		
16	00777100052	BEARING 25X52X15		
17	95303170004	CROWN Z=69		
18	00111650028	SNAP RING D29 E		
19	00777301011	RUNNER		
20	00111150003	NUT M8		
21	00111960004	GRUB M8X20		
22	00777301012	DIFFERENTIAL LEVER		
23	00777230001	OR RING 112		
24	00111870004	PIN A 6X14		
25	00111000094	SCREW TE M8X40		
26	95303170010	RIGHT HALF GEAR CASE		
27	00111000093	SCREW TE M8X20		
28	00111990099	COVER FOR OIL EXHAUST 3/8"		
29	00777100024	BEARING CLA 6206 0X62X16		
30	95303170001	LEFT HALF GEAR CASE		
31	95303170003	EXTENSION		
32	00777270001	CLOSED CAP 62X7		
33	95303170006	LEFT GEAR CASE		
34	00111990004	PIPE-FITTING A 90°		
35	00111300074	SCREW M8X55		
36	95001100000	OUTER DIFF. LOCK LEVER		
37	00111700006	PIN EL D.6X28		
38	95301000021	DIFFERENTIAL BLOCKING LOCK CABLE		
39	95001000050	SPRING DIFF. LOCK		
40	00777270007	CLOSED CAP 42X7		
41	00111000082	NUT M8		
42	95311170000	PG2WD GEAR BOX		
43	00111990003	COVER VENTILATION 1/2 GAS		
44	00777100051	KOYO BEARING 6205		
45	00777600117	COPPER WASHER 1/2"		



#	P/N	DESCRIPTION	PG/SR
1	00111000139	SNAP RING D.35 E	
2	00111650026	SNAP RING D.72 I	
3	00777100055	BEARING 6207 35X72X17	
4	95303000004	PUMP SHAFT	
5	00111900007	TONGUE A 6X6X40	
6	95401190000	PUMP SUPPORT	
7	PZ95049391200	TURBINE CIRCULA BAND D=300	
9	00777100054	BEARING 2205 25X52X18	
10	00111960002	GRUB M8X16	
11	00111650009	SNAP RING D.52 I	
12	00111650037	SNAP RING E X Ø25 UNI 7435	
13	00777250026	SEAL WASHER AS 25X52X10	
14	00111700006	PIN EL D.6X28	
15	95302101100	PDP TIGHTENER BELT LEVER	
16	95029000022	TRACTION DISC SPRING	
17	95302100009	PIN	
18	95001000060	BRASS BUSHING	
19	95049391600	PTO TIGHTENER BELT LEVER	
20	00111000155	NUT M6	
21	00111000061	WASHER 8.4X24X2	
22	95001000031	PTO CLUTCH SPRING	
23	95049000024	CHIMNEY WASHER	
24	00111250014	SELF BL. NUT M8	
25	00111300052	SCREW TE UNI 5739	
26	95302101400	SUPPORT TURBINE PLATE	
27	00777100005	KOYO BEARING 6202 2RS	
28	95599580000	STOP BELT PULLEY	
29	95029000023	SPACER 15,5x20x12,2	
30	95029000011	THREADED SHAFT M14X1,5	
31	00111250003	SELF BL. NUT M16	
32	95302100004	PTO PULLEY 4 RACES D=137	
33	00777100020	KOYO BEARING 6204 2RS	
34	00111000174	TONGUE A 6X6X30	
35	95302101600	ASSEMBLY PTO SUPPORT TUBE	
37	00111000057	SNAP RING D.20 E	
38	95302100007	TURBINE PULLEY 4 RACES	
39	95029100001	TURBINE D=240 HUB	
40	00111350012	SCREW TSPEI M8X18	
41	00111000076	SCREW TE M10X25	
42	00111250004	SELF BL. NUT M10	
43	95302100006	PULLEY 6 RACES	
44	00111250007	SELF BL. NUT M20X1.5	
45	00111000095	SELF BLO. NUT M8	
46	95302101500	TURBINE FRONTAL PLATE	
47	95001000066	PULLEY LOCK RING	
48	95302100008	TURBINE SHAFT	
49	PZ95049391300	TURBINE WHEEL D=300	
50	00111250003	SELF BL. NUT M16	
51	95301000019	TURBINE LOWER SUPPORT	
52	00111450001	SCREW WASHER M8X25	
53	00111000036	GREASER M6	
54	95023000001	BLADE CENTERING SPACER	
55	00777230019	OR RING D=2.62 - Di101.28	
56	00111990117	BEARING PROTECTION 20X47X5	
57	95302100002	PTO SHAFT	
58	00111300044	SCREW TE UNI 5739	
59	00111550005	WASHER M10	



**PG-SR**

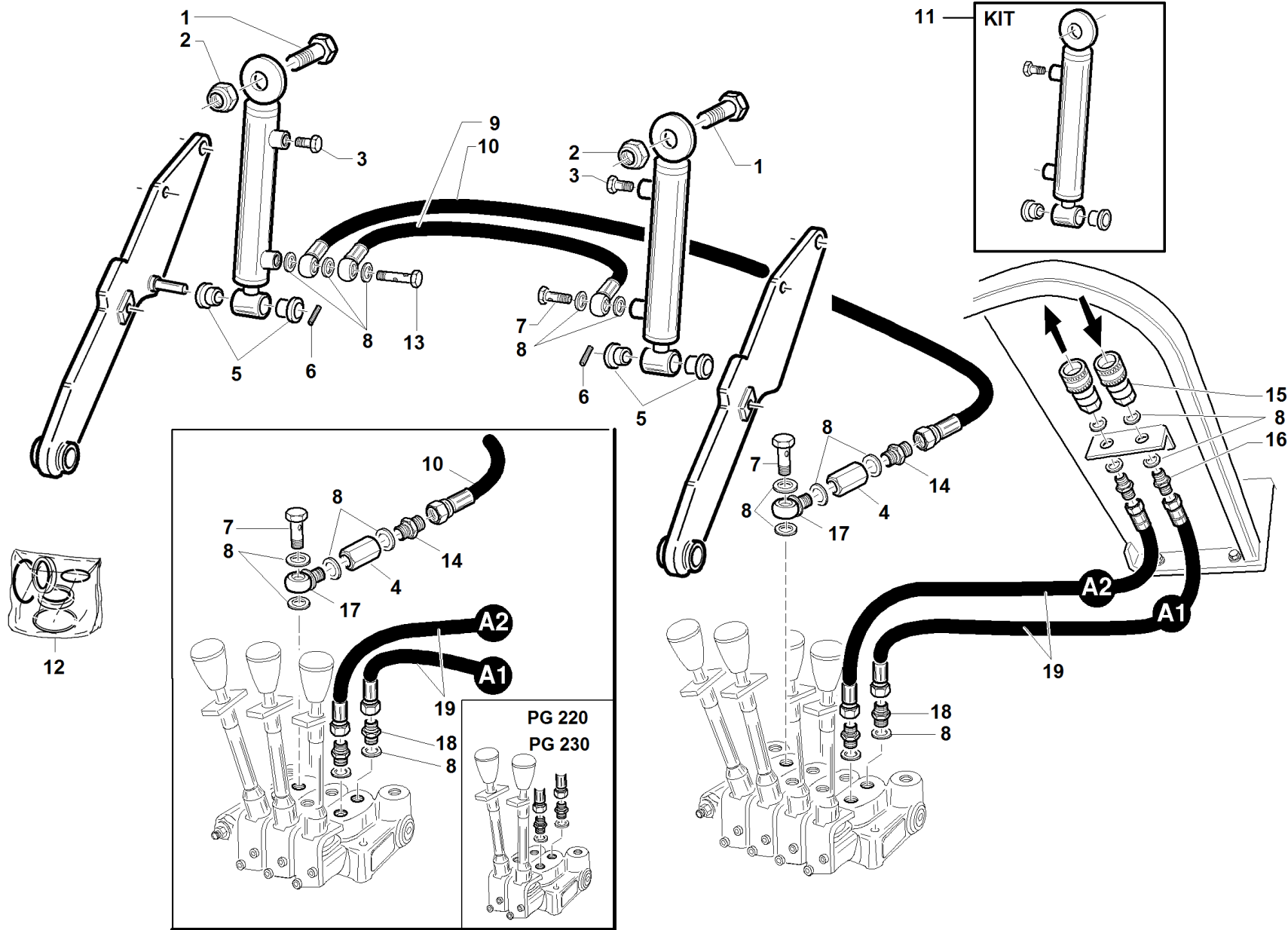


**S/N**  
→1210024

**REF. 32 - 00555501934**

#	P/N	DESCRIPTION	PG-SR
1	95060000001	FIXING SCREW CYLINDER	
2	00111250008	SELF BL. NUT M12	
3	00777600051	VENT PLUG	
4	00777600138	EXTENSION 1/4 L=35	
5	00111530006	BUSHING 15X17X12	
6	00111700006	PIN EL D.6X28	
7	00777600040	SIMPLE CABLE BOLT	
8	00777600001	WASHER COPPER 1/4	
9	00777600034	HOSE R1 1/4 L=460 OC1/4 OC1/4	
10	00777600114	HOSE	
11	95301350000	MOWERDECK LIFTING CYLINDER	
12	95597110000	PG FRONT LIFTING CYLINDER OIL SEALS KIT	
13	00777600039	DOUBLE CABLE BOLT	
14	00777600122	NIPPLE 1/4 X 1/4 - 0,9 ORIFICE	
15	00777600102	FEMALE RAPID ATTACHMENT 1/4	
16	00777600100	EXTENSION M/M 1/4 L=35	
17	00777600108	"THREATED EYES 1/4 X 1/4"	
18	00777600043	NIPPLE 1/4 X 1/4	
19	95301000027	HOSE 1/4	

**PG-SR**

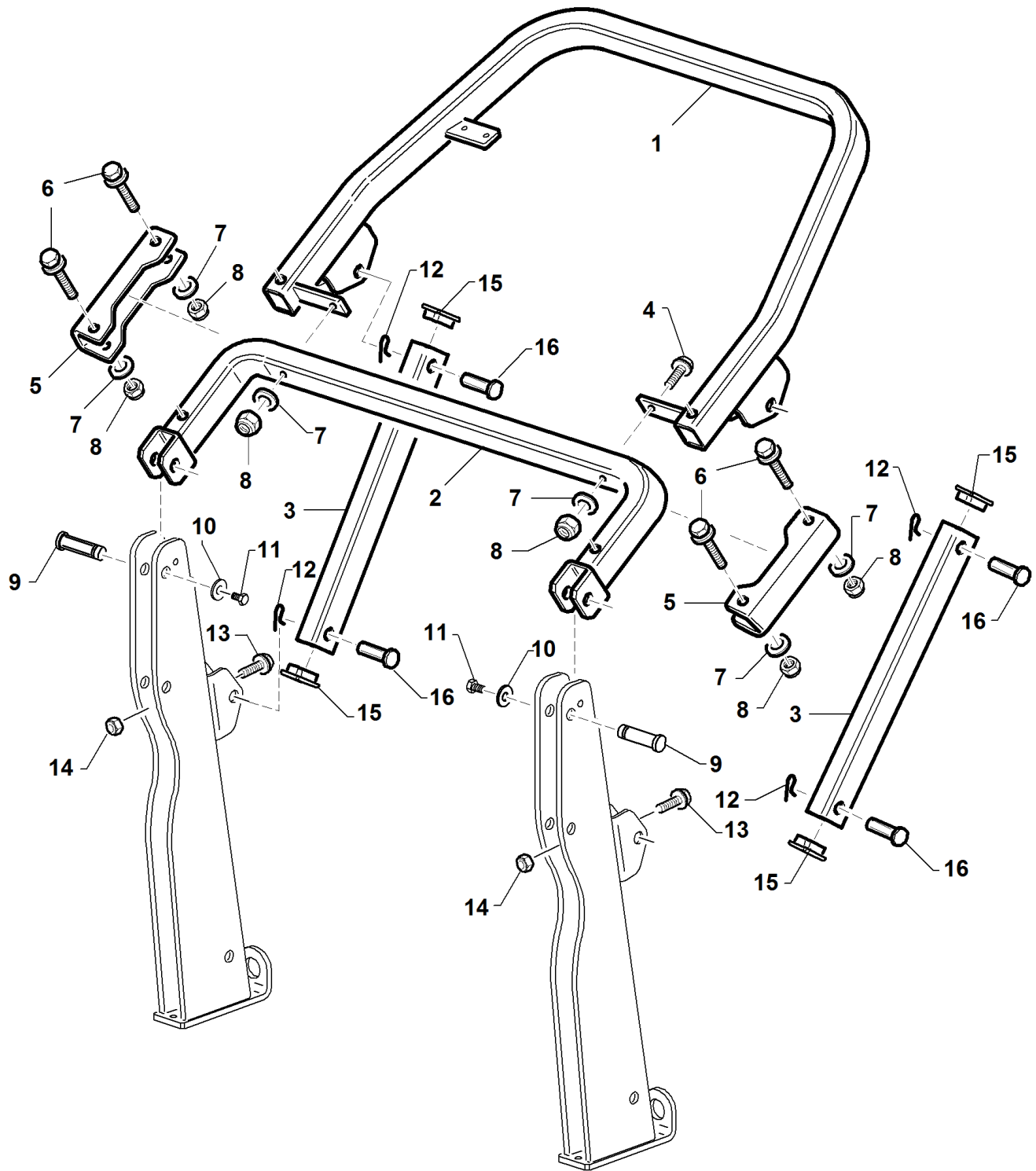


**S/N**

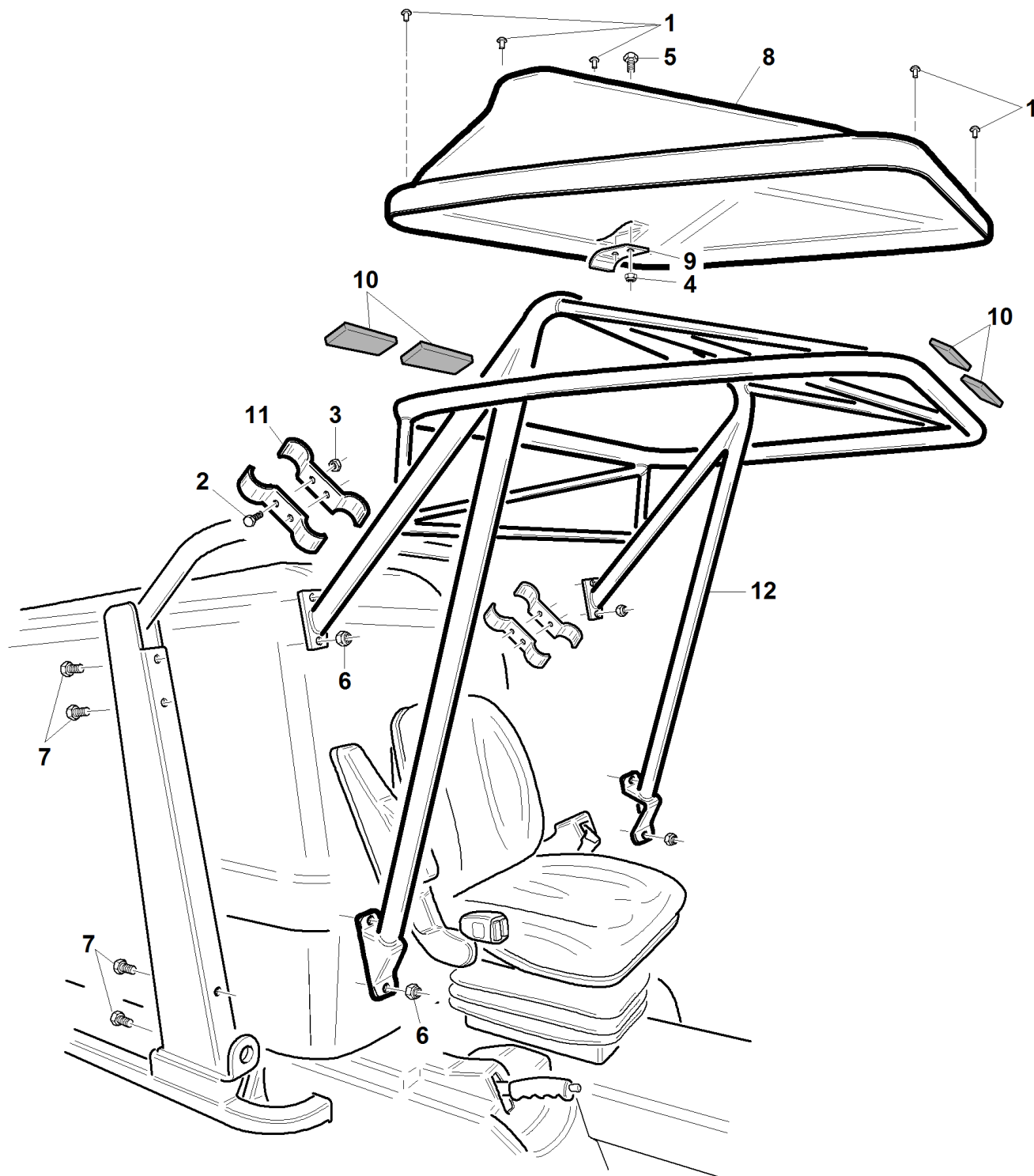
→ **1204001 ÷ 1210023** ←

**REF. 32 - 00555501943**

#	P/N	DESCRIPTION	PG-SR
1	95060000001	FIXING SCREW CYLINDER	
2	00111250008	SELF BL. NUT M12	
3	00777600051	VENT PLUG	
4	00777600138	EXTENSION 1/4 L=35	
5	95001000060	BRASS BUSHING	
6	00111700006	PIN EL D.6X28	
7	00777600040	SIMPLE CABLE BOLT	
8	00777600001	WASHER COPPER 1/4	
9	00777600034	HOSE R1 1/4 L=460 OC1/4 OC1/4	
10	00777600114	HOSE	
11	95301350000	MOWERDECK LIFTING CYLINDER	
12	95597110000	PG FRONT LIFTING CYLINDER OIL SEALS KIT	
13	00777600039	DOUBLE CABLE BOLT	
14	00777600122	NIPPLE 1/4 X 1/4 - 0,9 ORIFICE	
15	00777600102	FEMALE RAPID ATTACHMENT 1/4	
16	00777600100	EXTENSION M/M 1/4 L=35	
17	00777600108	"THREATED EYES 1/4 X 1/4"	
18	00777600043	NIPPLE 1/4 X 1/4	
19	95301000027	HOSE 1/4	



#	P/N	DESCRIPTION	PG-SR
1	95227120000	ROPS TUBOLAR SUPPORT	
2	95227130000	ROPS TUBOLAR SUPPORT	
3	95227140000	ROPS SUPPORT TUBULAR	
4	00111300010	SCREW TE M12X70	
5	95227000003		
6	00111300104	SCREW	
7	00111000105	WASHER P.13X24X2,5	
8	00111250008	SELF BL. NUT M12	
9	94010000060	CYLINDER FIXING PIN	
10	00111000061	WASHER 8.4X24X2	
11	00111000081	SCREW TE M8X16	
12	00111750008	PIN	
13	00111450007	FALS SCREW R.M10X25	
14	00111250004	SELF BL. NUT M10	
15	00111970212	RETTANGULAR PLASTIC CAP	
16	95227000002	PIN Ø20X66	



#

P/N

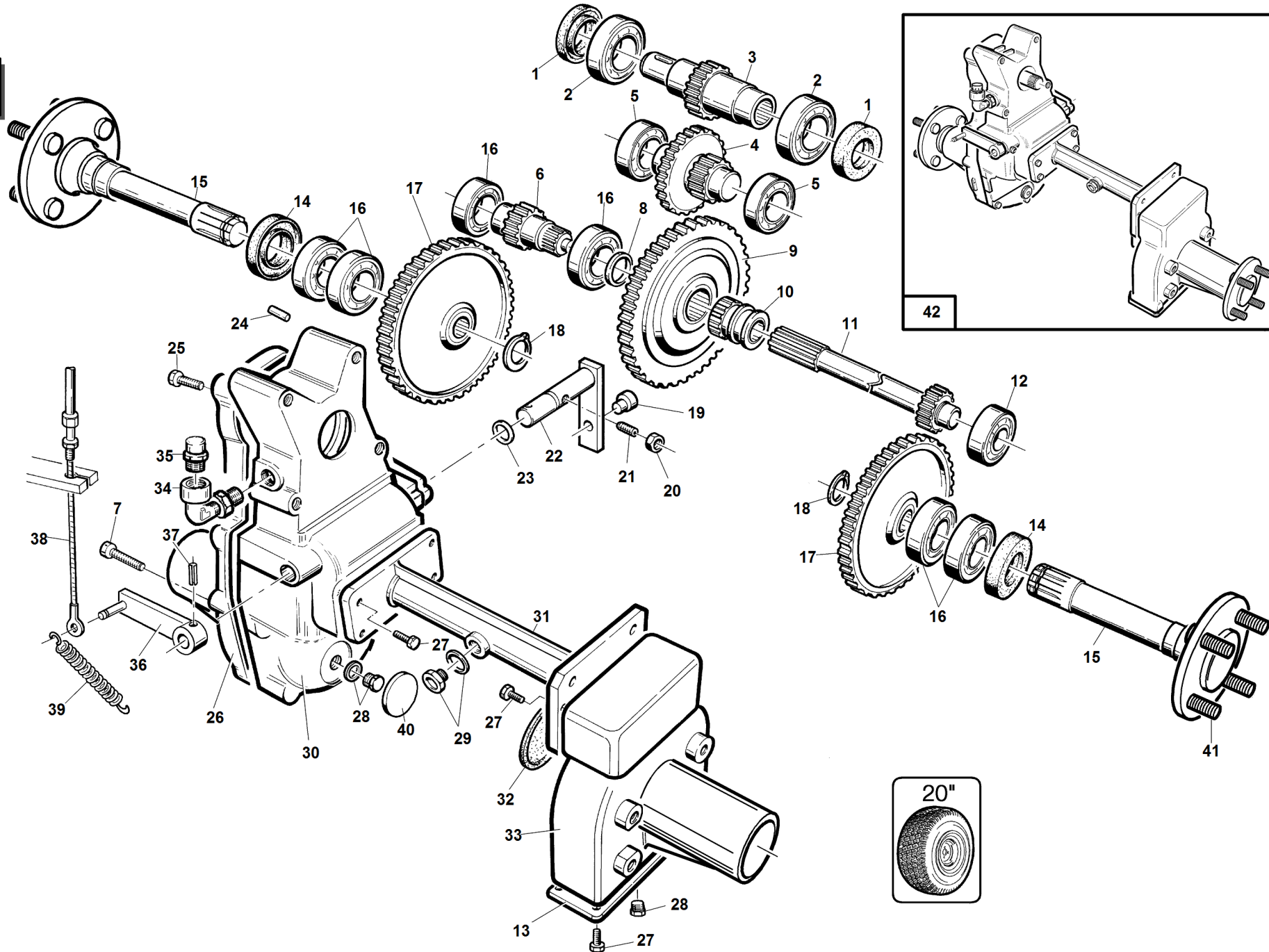
DESCRIPTION

PG-SR

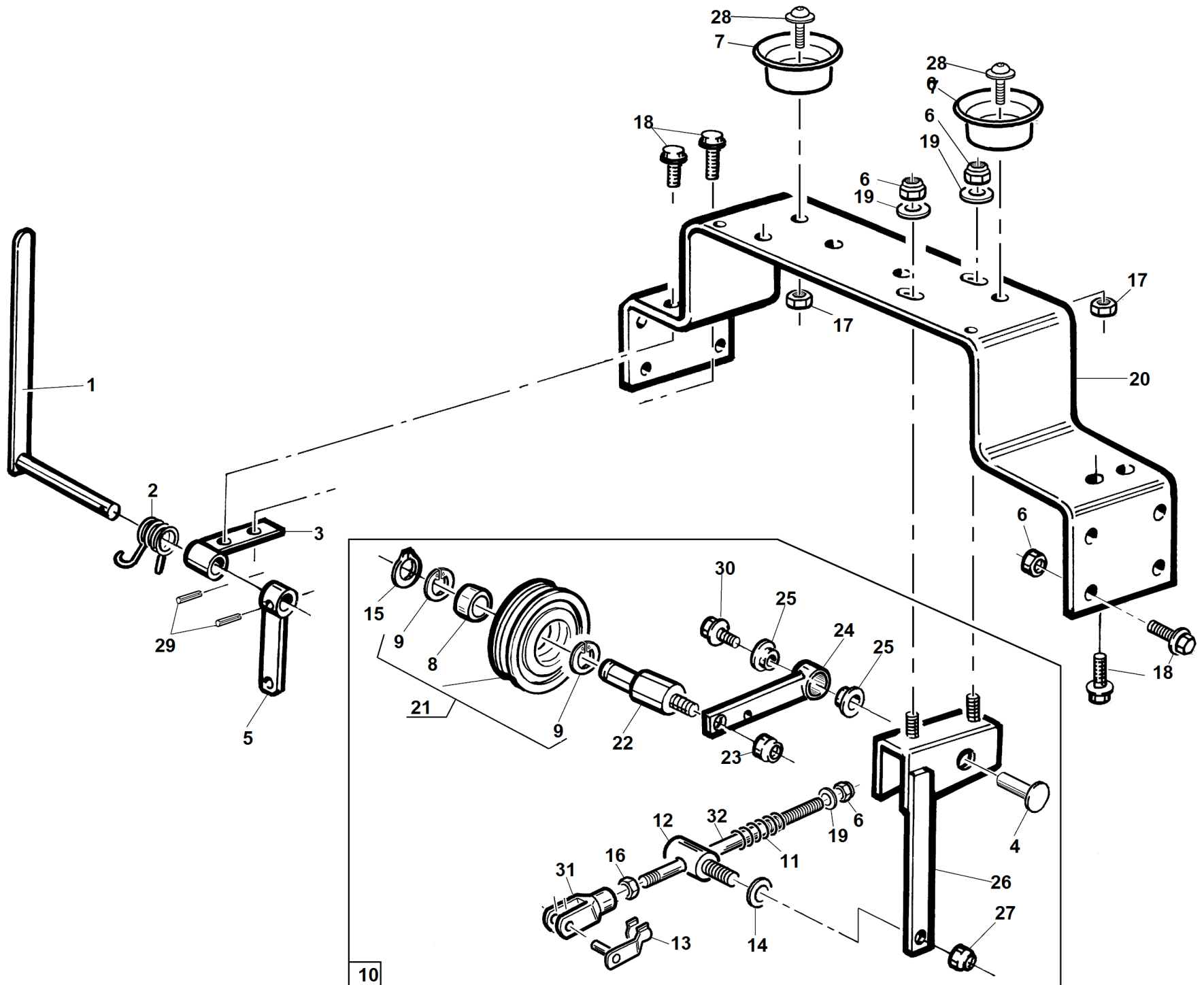
1	00111800004	RIVET D.4.8X16X20	
2	00111000063	SCREW ALLEN M8X16	
3	00111000095	SELF BLO. NUT M8	
4	00111000071	SELF BLO. NUT M8	
5	00111000145	SCREW TE M8 X 35	
6	00111250004	SELF BL. NUT M10	
7	00111450007	FALS SCREW R.M10X25	
8	95164000001	ROPS PLASTIC COVER	
9	95164000002	ROPS REINFORCEMENT SHEET	
10	95164000003	AIR STOP 50 X 3 L=60	
11	95164000004	ROLLBAR SUPPORT PLATE	
12	95164100000	ROPS FRAME COMPL.	



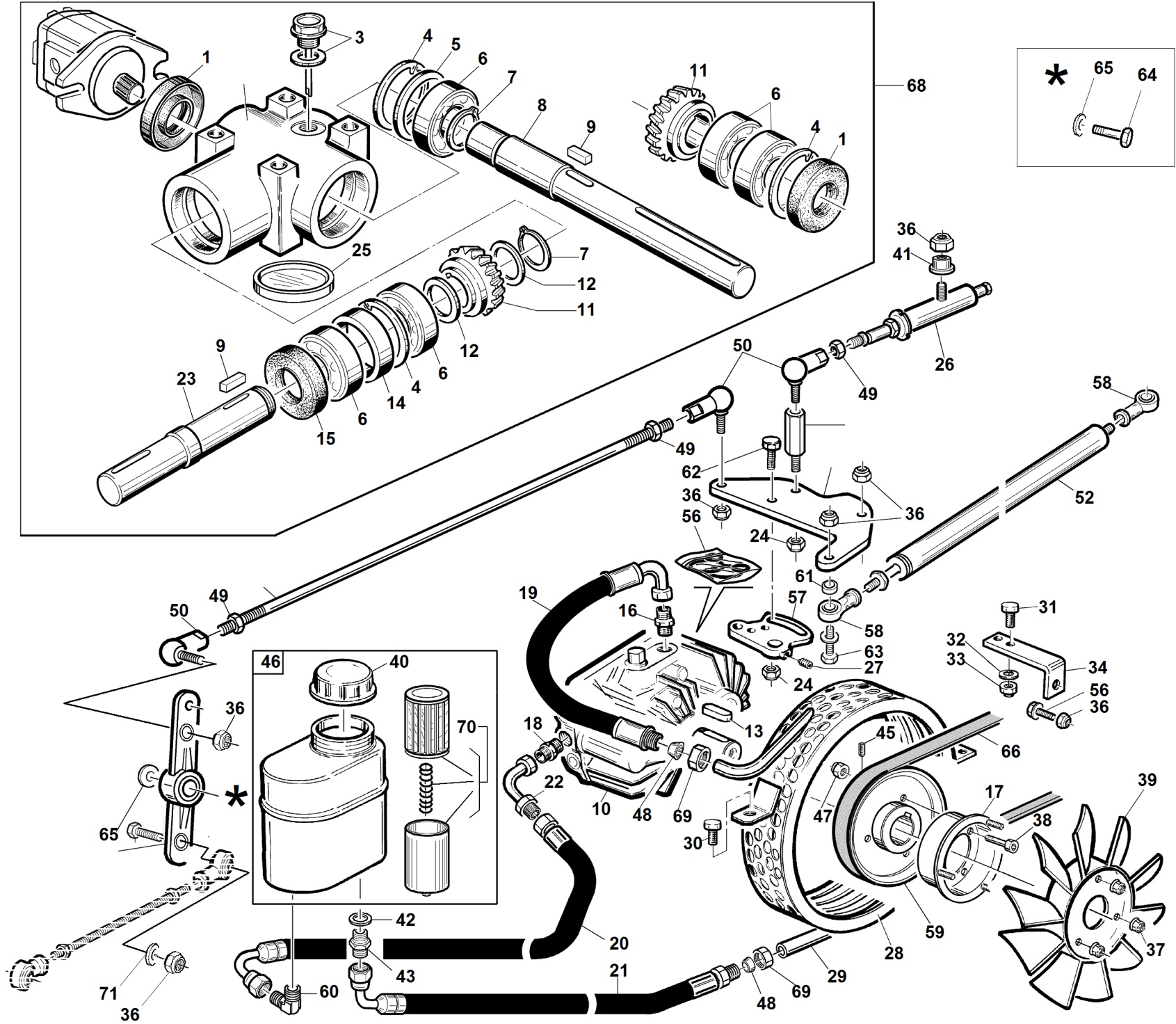
**PG-SR - 20"**



#	P/N	DESCRIPTION	PG-SR - 20"	REF. 35 - 00555501937
1	00777250003	SEAL WASHER BA 30X47X7		
2	00777100014	KOYO BEARING 6006 30X55X13		
3	00777304602	HOLLOW SHAFT		
4	00777304603	PINION SHAFT Z=29		
5	00777100015	KOYO BEARING 6005 25X47X12		
6	00777301004	PINION SHAFT Z15		
7	00111300015	SCREW TE M8X55		
8	00777301005	SPACER		
9	00777301001	DIFFERENTIAL		
10	00777301006	SPLINED BUSHING		
11	00777301007	PINION SHAFT Z13		
12	00777100016	KOYO BEARING 6203 17x40x12		
13	00777301008	FLAT COVER		
14	00777250005	SEAL WASHER BASL 30X52X7		
15	95599370000	COMPLETE AXLE SHAFT		
16	00777100017	KOYO BEARING 6205		
17	00777301010	CROWN Z69		
18	00111650008	SNAP RING D.24 E		
19	00777301011	RUNNER		
20	00111150003	NUT M8		
21	00111960004	GRUB M8X20		
22	00777301012	DIFFERENTIAL LEVER		
23	00777230001	OR RING 112		
24	00111870004	PIN A 6X14		
25	00111000094	SCREW TE M8X40		
26	00777305702	RIGHT HALF GEAR CASE		
27	00111000093	SCREW TE M8X20		
28	00111990099	COVER FOR OIL EXHAUST 3/8"		
29	00111990002	LEVEL WITHTROL SIDE DISCHARGE		
30	00777305703	LEFT HALF GEAR CASE		
31	00777301015	EXTENSION		
32	00777270001	CLOSED CAP 62X7		
33	00777305701	LEFT GEAR CASE		
34	00111990004	PIPE-FITTING A 90°		
35	00111990003	COVER VENTILATION 1/2 GAS		
36	95001100000	OUTER DIFF. LOCK LEVER		
37	00111700006	PIN EL D.6X28		
38	95001000021	DIFF. BLOCK. CABLE		
39	95001000050	SPRING DIFF. LOCK		
40	00777270007	CLOSED CAP 42X7		
41	00111990102	LITTLE COLUMN M12x1.5x35		
42	00777305700	GEAR BOX SET		



#	P/N	DESCRIPTION	PG-SR
1	PZ95042187000	SHAFT LEVER	
2	95504000019	SPRING TROLLEY ATTACHM.	
3	PZ95042183000	BY-PASS LEVER SUPPORT	
4	95200200001	TIGHTENER PIN	
5	PZ95042184000	LEVER BY PASS	
6	00111000071	SELF BLO. NUT M8	
7	95301000001	CENTRING DUMPER MEMBER	
8	00777100005	KOYO BEARING 6202 2RS	
9	00111650005	SNAP RING D.35 I	
10	95311210000	HYDRO.GROUP BELT TIGHTENER	
11	94500000088	PTO TIGHTENER SPRING	
12	94010820000	SPRING TENSION DRILL ROD	
13	00111000194	FORKED PIN D.8	
14	00111500001	WASHER 10.5X21X2	
15	00111650004	SNAP RING D.15 E	
16	00111000082	NUT M8	
17	00111000166	SELF BL. SCREW M6	
18	00111450003	SCREW WASHER M8X20	
19	00111000087	WASHER P.8,4X15.6X1,5	
20	95042181002	UPPER SUPPORT PLATE	
21	95599650000	TIGHTENER PULLEY PG	
22	95311110001	TIGHTENER PIN	
23	00111250002	SELF BL. NUT M12	
24	95200201000	TIGHTENER BELT LEVER	
25	00111530006	BUSHING 15X17X12	
26	95200201100	BELT TIGHTENER SUPPORT	
27	00111000080	SELF BLO. SCREW M10	
28	00111450012	SCREW FR M 6X20	
29	00111700008	PIN ELASTIC D.3X16	
30	00111000059	FAKE SCREW/WASH. M8X14	
31	00111000196	FORK IN M8	
32	95200200002	TIGHTENER STAFF	



#	P/N	DESCRIPTION	PG-SR
1	00777250007	SEAL WASHER AS 20X52X10	
3	00111990005	COVER FILLING LEVEL 3/8	
4	00111650009	SNAP RING D.52 I	
5	95598280000	SPACER KIT 42X52	
6	00777100019	KOYO BEARING 6304 SKF	
7	00111000057	SNAP RING D.20 E	
8	00777306501	TRANSMISSION SHAFT	
9	00111900018	TONGUE B6X6X16	
10	00777600021	BDU 10L-222	
11	00777306000	ELIC. BEVEL GEAR PAIR	
12	95598270000	SPACER KIT 20X28	
13	00111900011	TONGUE 5X5X30	
14	00777305103	SPACER 39.2X51.5 L=10.25	
15	00777250006	SEAL WASHER AS 25X52X7	
16	95042200006	PIPE-FITTING 7/8 X 3/8	
17	PZ95049141400	PULLEY FLANGE FIXING	
18	95042200007	PIPE-FITTING 7/16X3/8	
19	00777600052	BDU ASPIRATION HOSE	
20	95042380006	HOSE R1T L=216	
21	95042380005	HOSE L=260	
22	00777600080	ADAPTER 90°GAS M+FG 3/8	
23	00777304701	OUTPUT SHAFT	
24	00111000095	SELF BLO. NUT M8	
25	00777270001	CLOSED CAP 62X7	
26	95042230000	COMPLETE MECC. CYLINDER	
27	00777600023	GRUB LEVER BDU	
28	PC95042290000	AIR CONVEYOR	
29	95042000007	COPPER SERPENTINE 12X1	
30	00111450003	SCREW WASHER M8X20	
31	00111300011	SCREW TE M6X20	
32	00111000037	WASHER 6.6X18X2	
33	00111000166	SELF BL. SCREW M6	
34	PZ95042000006	PLATE SUPPORT	
36	00111000071	SELF BLO. NUT M8	
37	00111250012	SELF BL. NUT METB 5MA	
38	00111400028	ALLEN SCREW M5X14	
39	95049141201	FAN 7CW265	
40	00111970056	OIL TANK PLUG	
41	00111530001	SYNTHETIZE BUSHING 8X10 L=5.5	
42	00777600003	WASHER COPPER 3/8	
43	00777600015	NIPPLE 3/8	
45	00111960003	GRUB M6X10	
46	00111970094	COMPLETE OIL TANK	
47	00111000183	SELF BL. NUT M5	
48	00777600054	OGIVE 12L 100107	
49	00111000082	NUT M8	
50	00777200001	ROUND JOINT AS 13 M8	
52	95042400000	HYDRAULIC CYLINDER	
56	95599630000	GEAR BOX SEAL KIT BDU 10L-222	
57	00777600022	LEVER BDU 321	
58	00777200011	ARTICULATION HEAD CF8 M8x1	
59	95049141300	PULLEY D.101 DIESEL	
60	00777600115	MALE ELBOW 90° 3/8	
61	94500000051	SPACER 10.25X16X10.5	
62	00111300061	SCREW TE M8X20	
63	00111300060	SCREW	
64	00111300043	SCREW TE UNI 5737 M10x45 8.8	
65	00111500013	WASHER P10,5x18x2	
66	00111980034	GATES BELT POWERATED 4L 6842	

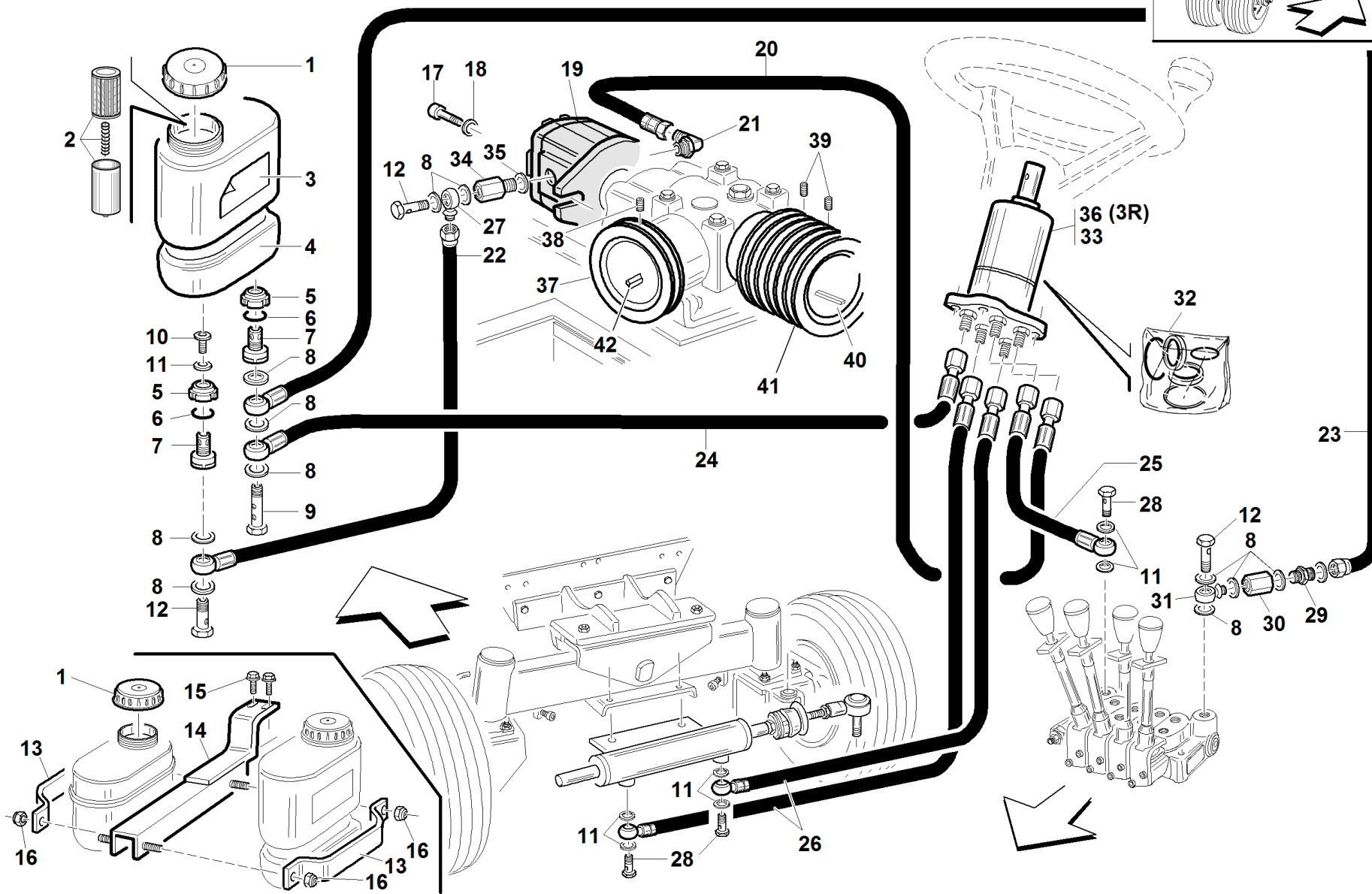
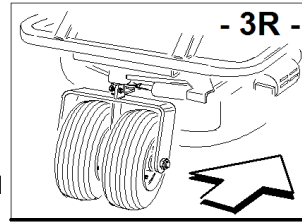
#

P/N

DESCRIPTION

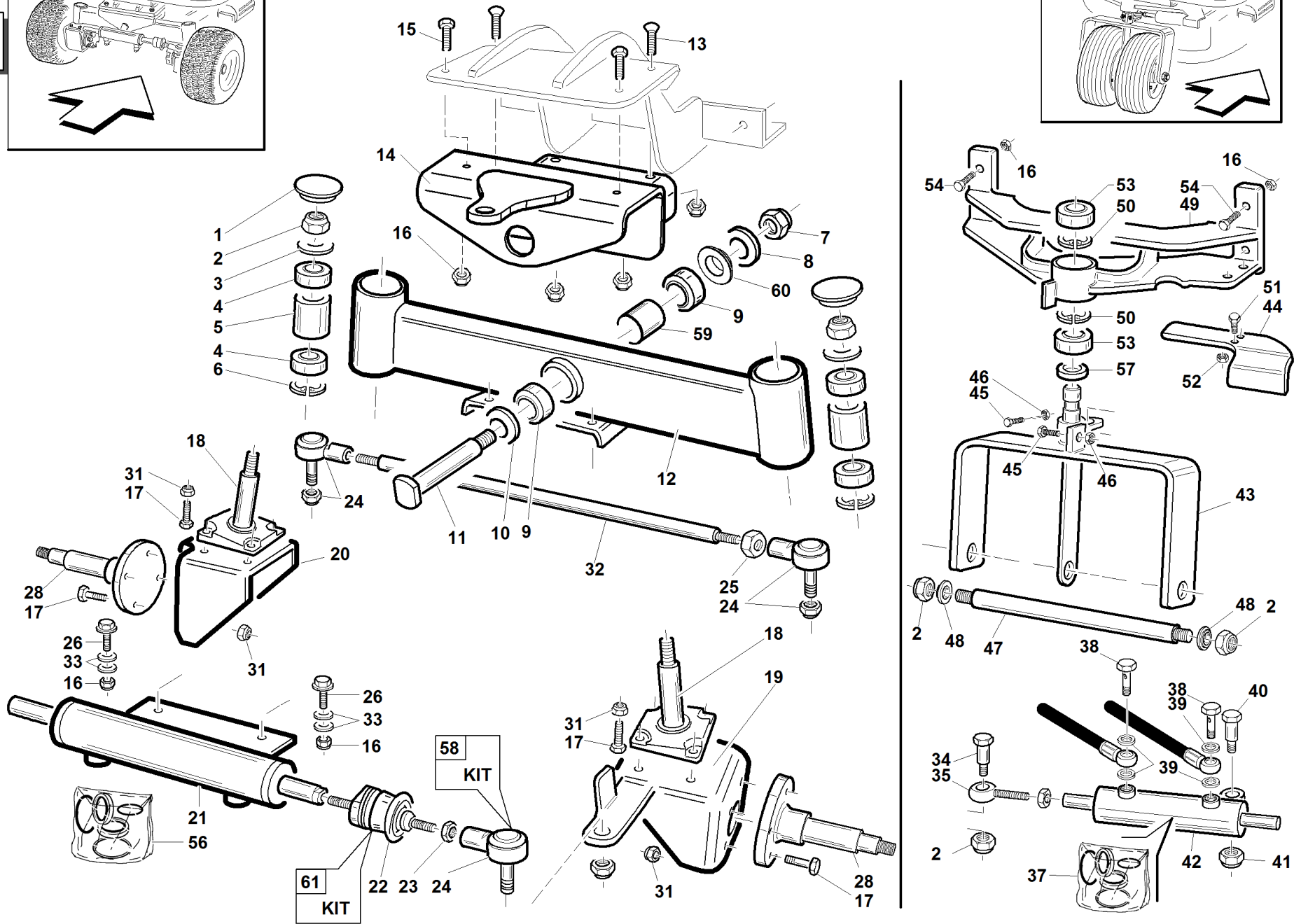
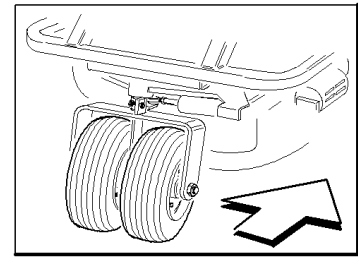
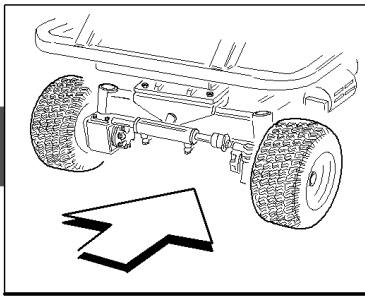
PG-SR

68	00777306500	GEAR CASE 3 OUTPUT W/PUMP SUPP.	
69	00777600053	NUT 12 L CODE 100207	
70	95598640000	KIT OIL TANK FILTER	
71	00111000087	WASHER P.8,4X15.6X1,5	



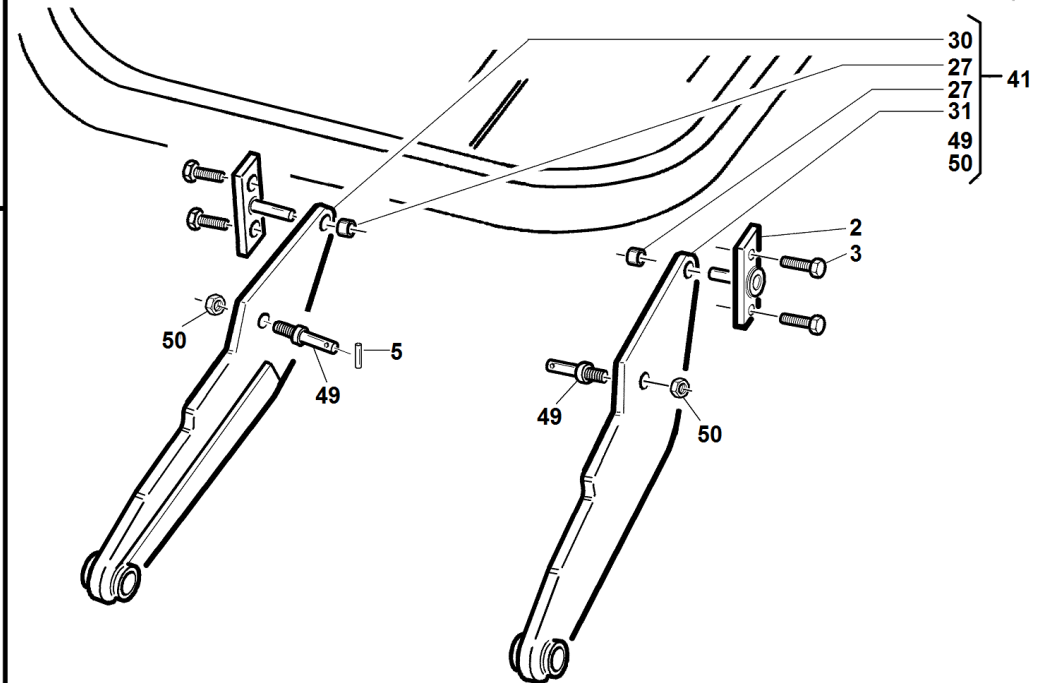
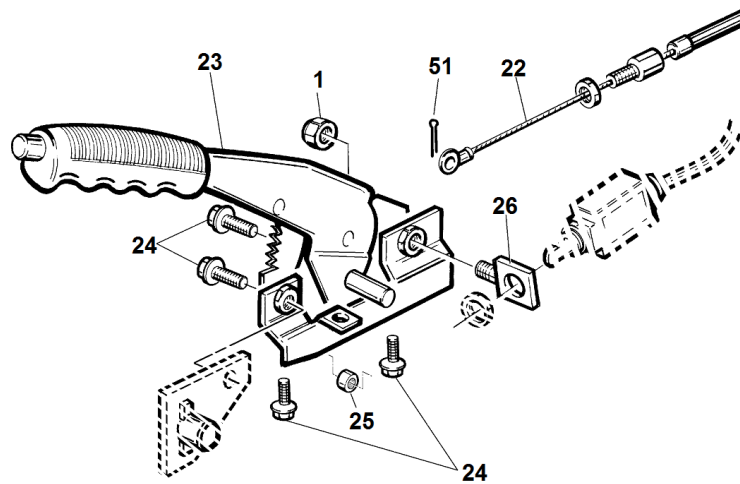
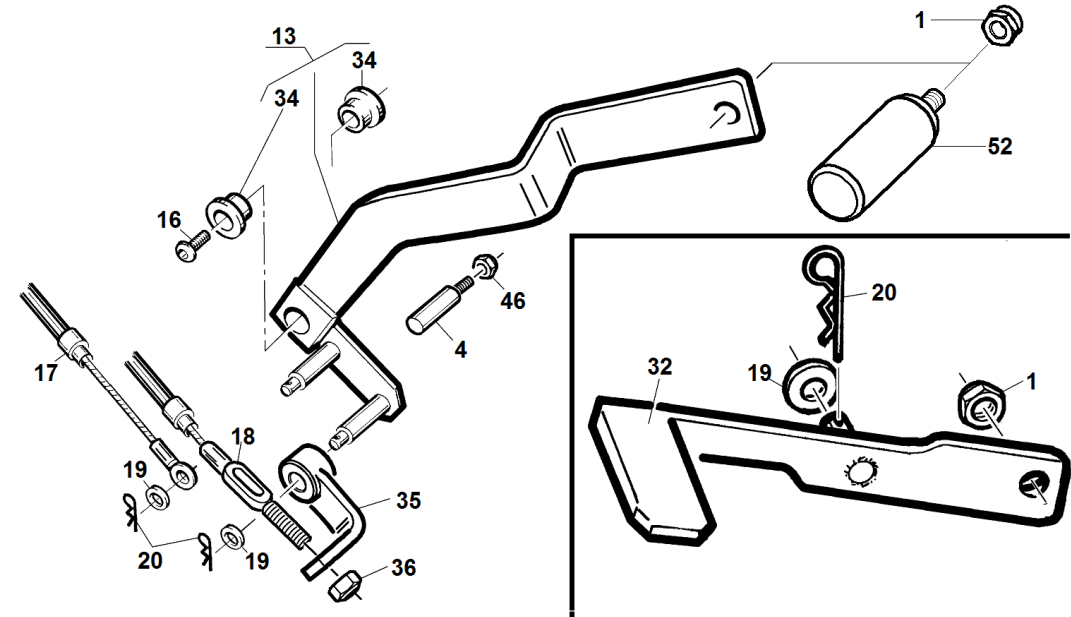
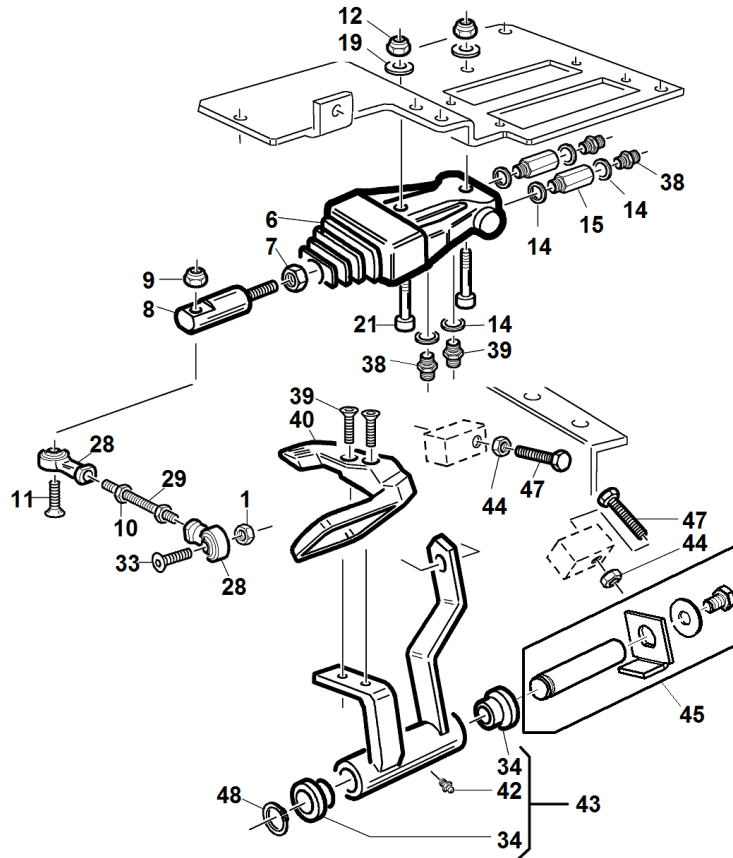


#	P/N	DESCRIPTION	PG-SR
1	00111970056	OIL TANK PLUG	
2	00777650044	FILTER CARTRIDGE	
3	00555200123	TRANSFER PRINTING	
4	94010480000	OIL TANK	
5	00111000189	METAL RING 20X1	
6	00777230004	OR RING 4081	
7	94010000083	OIL TANK CONNECTOR	
8	00777600003	WASHER COPPER 3/8	
9	00777600133	DOUBLE CABLE BOLT	
10	00777600099	CLOSER PLUG 1/4	
11	00777600001	WASHER COPPER 1/4	
12	00777600041	EMPTY SCREW 3/8	
13	PZ95042000005	OIL TANK CLAMP	
14	PZ95060100000	OIL TANK SUPPORT	
15	00111450003	SCREW WASHER M8X20	
16	00111000166	SELF BL. SCREW M6	
17	00111000062	SCREW ALLEN M10x25 8.8 UNI 5931	
18	00111500013	WASHER P10,5x18x2	
19	00777600145	PG/SR OIL PUMP	
20	95301000025	HOSE	
21	00777600146	ADAPTER 90° 3/8 GAS ADJUSTABLE	
22	95303000055	HOSE	
23	95042380008	HOSE R17 L=920	
24	95301000024	HOSE	
25	95301000023	HOSE	
26	95301000022	HOSE	
27	00777600081	THREADED EYE 3/8 x 3/8	
28	00777600040	SIMPLE CABLE BOLT	
29	00777600147	NIPPLE 1/4-3/8 2 ORIFICE	
30	00777600138	EXTENSION 1/4 L=35	
31	00777600141	METAL EYELET 3/8	
32	95599620000	GASKET KIT	
33	95303000027	HYDRAULIC STEERING SERVOCONTROL	
34	00777600085	REDUCTION M3/4-16 F3/8 L.28	
35	00777230013	OR RING 119	
36	95325000003	HYDRAULIC STEERING SERVOCONTROL	
37	95049151100	PULLEY D.101 DIESEL	
38	00111960003	GRUB M6X10	
39	00111960002	GRUB M8X16	
40	00111900007	TONGUE A 6X6X40	
41	95302100006	PULLEY 6 RACES	
42	00111900001	TONGUE A 6X6X25	



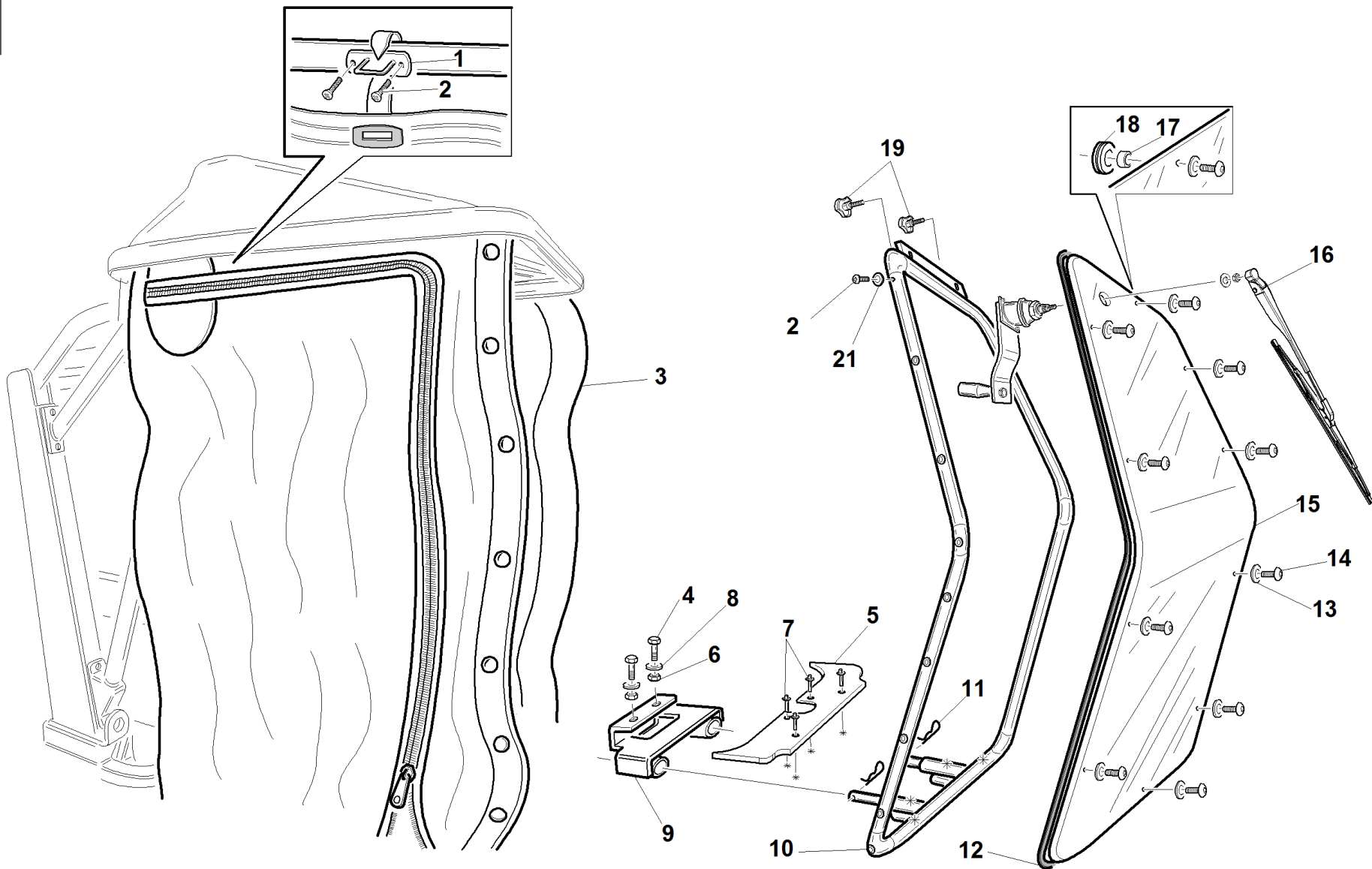
#	P/N	DESCRIPTION	PG-SR	REF. 39 - 0055501941
1	94500000087	INSIDE BEARING PROTECTION		
2	00111250011	SELF BL. NUT M14x1,5		
3	95303110004	SPACER D14.5XD35X3		
4	00777100012	BEARING 6006 2RS 30X55X13		
5	95303110005	SPACER D31 XD36 X45		
6	00111650003	SNAP RING D.55 I		
7	00111250007	SELF BL. NUT M20X1.5		
8	95303110003	SPACER D20.5X D35X3		
9	00777100053	BEARING 61906 30X47X9		
10	95303110001	SPACER D30.3 X D38 X3		
11	95303110002	AXLE PIN		
12	95301200000	REAR COMPLETE AXLE		
13	00111350003			
14	95409140000			
15	00111000103	SCREW TE M10X30		
16	00111250013	SELF BL.NUT M10		
17	00111300052	SCREW TE UNI 5739		
18	95303110007	STEERING PIN		
19	95311161100	RIGHT REAR WHEEL SHAFT SUPPORT		
20	95311161000	LEFT WHEEL SHAFT SUPPORT		
21	95301000013	STEERING HYDRAULIC JACK		
22	00777200024	AXLE ARTICULATION M14X1.5		
23	00111150024	NUT M12X1.25 - 6S		
24	00777200023	STEERING ARTICULATION M12X1.25		
25	00111500027	NUT M12X1.25		
26	00111300084	SCREW TE M10X35		
28	95311160001	WHEEL SHAFT 2WD		
31	00111250025	NUT METB 8MA		
32	95303000011	TIE ROD STEERING		
33	00111550005	WASHER M10		
34	95097000008	SHAFT TYE-ROD STEERING		
35	00777200016	BIG END OF THE CONNECTING ROD TM14		
36	00111250011	SELF BL. NUT M14x1,5		
37	95599170000	CYLINDER GASKETS KIT		
38	00777600040	SIMPLE CABLE BOLT		
39	00777600001	WASHER COPPER 1/4		
40	95060000001	FIXING SCREW CYLINDER		
41	00111250008	SELF LOCKING NUT M12 UNI 7473		
42	95097200000	DOUBLE STEM CYLINDER		
43	95598130000	DOUBLE WHEEL FORK KIT		
44	95325000002	STEERING CYLINDER PROTECTION		
45	00111000033	SCREW TE M8X30		
46	00111000082	NUT M8		
47	95325000001	WHEEL SHAFT		
48	95500000075	REAR WHEEL SPACER		
49	95325100000	WHEEL FORK SUPPORT		
50	00111650037	SNAP RING E X Ø25 UNI 7435		
51	00111450002	SCREW WASHER M8X30		
52	00111000071	SELF LOCKING NUT M8 UNI 7473		
53	00777100001	KOYO BEARING 6205 2RS		
54	00111300029	SCREW TE M10X55		
56	95599610000	OIL SEAL KIT		
57	95325000004	SPACER 25.5X40X6		
58	95598240000	STEER. ARTICUL. GUARD KIT (00777200023)		
59	95303110006	SPACER Ø31XØ36X72		
60	91003100002			
61	95597260000	AXIAL JOINT GUARD KIT (00777200024)		

**PG-SR-W**



#	P/N	DESCRIPTION	PG-SR-W
1	00111000071	SELF LOCKING NUT M8 UNI 7473	
2	95301150000	LIFTING ARMS SUPPORT	
3	00111000103	SCREW TE M10X30	
4	95301000002	LEVER DRILL ROD	
5	00111700006	PIN EL D.6X28	
6	95303000019	HYDRAULIC PEDAL SERVOCONTROL	
7	00111150002	NUT M10 UNI 5588	
8	95303000013	THREADED PIN M10	
9	00111250018	"NUT ""CONEKLOK"" M8"	
10	00111000082	NUT M8	
11	00111000145	SCREW TE M8 X 35	
12	00111000035	SELF BLOC. NUT M6	
13	95301280000	LEVER PTO TURBINE COMP.	
14	00777600001	WASHER COPPER 1/4	
15	00777600037	EXTENSION M/F 1/4 L=35	
16	00111450004	SCREW WASHER M8X12	
17	95301000020	BLADE BRAKE CABLE	
18	95042210004	ADJUSTABLE TURBINE AND PTO CABLE	
19	00111500009	WASHER 6.4X12.5X1.6	
20	00111000114	"PIN ""R"" D.1,2"	
21	00111400015	ALLEN SCREW M6X40	
22	95042000013	HAND BRAKE CABLE	
23	00111990015	HAND BRAKE LEVER	
24	00111450003	SCREW WASHER M8X20	
25	95001000027	BORE WASHER Ø8.25X14 L=8	
26	PZ95042190000	MICRO SUPPORT	
27	00111530005	BUSHING FRIMET 18 20 10	
28	00777200007	ARTICULATION HEAD CF8 M8	
29	95303000060	PEDAL LEVER STAFF	
30	95319100000		
32	PZ95001390000	DIFFERENTIAL LOCK PEDAL	
33	00111350022	SCREW TSPEI M8X30 ZNT	
34	95001000060	BRASS BUSHING	
35	PZ95042216000	TURBINE CABLE REGISTER	
36	00111000095	SELF BLO. NUT M8	
37	95301140000	ADVANCING PEDAL SUPPORT	
38	00777600122	NIPPLE 1/4 X 1/4 - 0,9 ORIFICE	
39	00777600121	NIPPLE 1/4 X 1/4 - 0,5 ORIFICE	
40	95533000003	ACCELERATOR PEDAL	
41	95599590000	PG-W LIFT ARMS KIT	
42	00111000036	GREASER M6	
43	95301320000	PEDAL SUPPORT	
44	00111150003	NUT M8	
45	95597270000	PEDAL PIN KIT	
46	00111000166	SELF LOCKING NUT M6 UNI 7473	
47	00111000033	SCREW TE M8X30	
48	00111650004	SNAP RING D.15 E	
49	95301000032	CYLINDER SUPPORT PIN	
50	00111150005	NUT M16X1.5	
51	95301000042		
52	95500000071	PTO LONG KNOB	

**PG**



#	P/N	DESCRIPTION	PG
1	95241100001		
2	00111370008	SCREW	
3	95241100003		
4	00111350034	SCREW M10X65	
5	95241000003		
6	00111000080	SELF BLO. SCREW M10	
7	00111800004	RIVET D.4.8X16X20	
8	00111000015	WASHER D.10,5X21X2	
9	95167120000	TANK FRAME SUPPORT	
10	95241200000		
11	00111000175	PIN "R" D.4	
12	00555300005	AIR STOP 20X5 301F	
13	00111000037	WASHER 6.6X18X2	
14	00111450016	SCREW M6x25	
15	95241000001		
16	00111990147		
17	95241000002		
18	00111970066	CABLE HOLDER D.I.9	
19	00111970133	KNOB M6X20	
21	95241100002		

[www.gianniferrari.com](http://www.gianniferrari.com)

*Advanced Groundcare Solutions™*

**COMPANY WITH QUALITY  
MANAGEMENT SYSTEM CERTIFIED BY DNV  
= UNI EN ISO 9001:2008 =**



**Gianni  
Ferrari**

**GIANNI FERRARI S.r.l.**

Via Vespucci ,53 (z.ind. Ranaro)  
42046 Reggiolo (Reggio Emilia) Italy  
Tel. +39.0522.973697 - Fax +39.0522.973707  
e-mail: [info@gianniferrari.com](mailto:info@gianniferrari.com)



**OFFICINE BIEFFEBI S.p.A.**

Via dell'Artigianato ,7  
46023 Gonzaga (Mantova) Italy  
Tel. +39.0376.52641 - Fax +39.0376.588270  
e-mail: [bieffebi@gianniferrari.com](mailto:bieffebi@gianniferrari.com)